

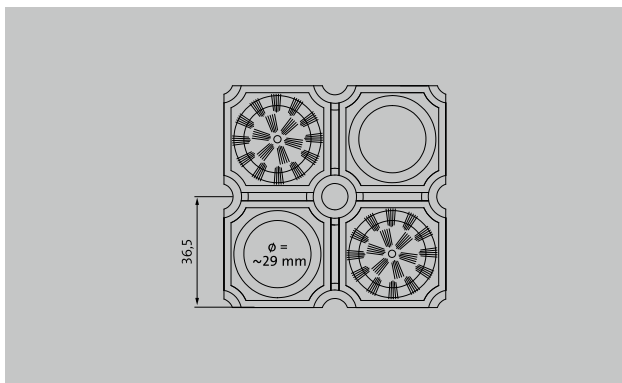
emco CUBUS with double ring round brushes

Model CUBUS 220B



1 **2** **3** Outside (Zone 1)

Ideal for entrances and steps in outdoor areas, ski lifts, industrial buildings, exhibition halls and sports halls



Description

Robust, general purpose mat with excellent cleaning effect (for protection against coarse dirt). Because it is easy to clean and offers a straightforward water drainage system as well as a high level of temperature resistance (-30 to +50 °C), it is also ideal for outdoor areas with snow and high levels of moisture.



Outside (Zone 1)



Outside (Zone 1)



Street dust, hair, sand, ash, textile fibres, small leaves and twigs, loose chippings, coarse sand, small gravel particles



Street dust, hair, sand, ash, textile fibres, small leaves and twigs, etc.

Colours



Rubber honeycomb mat: black



black 800-3443



grey 800-3444



Red 800-3445



green 800-3446



blue 800-3447



Yellow 800-3448

emco CUBUS with double ring round brushes

Model CUBUS 220B

Approx. height (mm)	22
Weight (kg/m²)	11,5
Tread surface	Honeycomb pattern. Dimensional tolerance +/- 1.5%
Material	High-quality solid rubber, weather-proof and abrasion-proof
Water drainage	Dimples on the underside combined with open honeycomb bases ensure excellent water drainage
Technical details	Rubber honeycomb mat equipped with single-colour double-ring brush inserts in every second honeycomb (approx. 315 brushes/m ²) for protection against coarse and fine dirt. Special formats available
Custom mats	Bespoke cuts enable practically any dimensions to be accommodated. (Mat sizes up to approx. 2 m ² are manufactured with the parts bonded together; larger mat systems are supplied in several parts - with solid rubber connection elements)

Panel size in mm	1200 x 800
-------------------------	------------

Accessories
emco installation frame 500: 500-25 AL Aluminium
emco installation frame 500: 500-25 CN Chrome-nickel steel (V2A)
emco installation frame 500: 500-25 MS Natural brass
emco installation frame 500: 500/N 600x400 Aluminium
emco installation frame 500: 500/N 800x500 Aluminium
emco installation frame 500: 500/N 900x600 Aluminium
emco installation frame 500: 500/N 1000x600 Aluminium
emco installation frame 500: 500/N 1000x800 Aluminium
emco installation frame 500: 500/N 1000x1000 Aluminium
emco installation frame 500: 500/N 1200x800 Aluminium

Subject to technical modifications

emco Bautechnik GmbH · Breslauer Straße 34 - 38 · D-49808 Lingen (Ems)
· Germany · Phone: +49 (0) 591/9140-500 · Fax: +49 (0) 591/9140-852 · Email:
bau@emco.de · www.emco-bau.com

