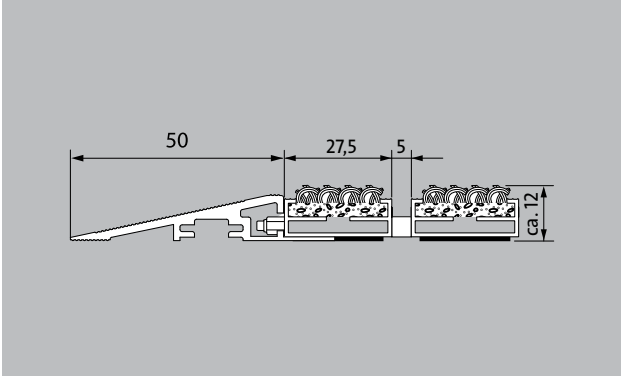


Model A12



Description

The ramp edge bevel guarantees trip-free access onto the mat. For DIPLOMAT entrance mats (heights 12, 17 and 22 mm) mounted on finished floors at ground level. With profiled tread surface. Material: Aluminium. This design can be installed on 1, 2, 3 or 4 sides at a 90° angle.



Outside (Zone 1)



Indoor and outdoor (covered, Zone 1+2)



Model A12

Description	The ramp edge bevel guarantees trip-free access onto the mat. For DIPLOMAT entrance mats (heights 12, 17 and 22 mm) mounted on finished floors at ground level. With profiled tread surface. Material: Aluminium. This design can be installed on 1, 2, 3 or 4 sides at a 90° angle.	Technical details	Versions: installed 1-side along the width, 2-sided along the width or all round
		Approx. material thickness (mm)	1,5
		Height (mm)	10
		Normmatte H x B x T in mm	nicht verfügbar

Subject to technical modifications

emco Bautechnik GmbH · Breslauer Straße 34 - 38 · D-49808 Lingen (Ems)
· Germany · Phone: +49 (0) 591/9140-500 · Fax: +49 (0) 591/9140-852 · Email:
bau@emco.de · www.emco-bau.com