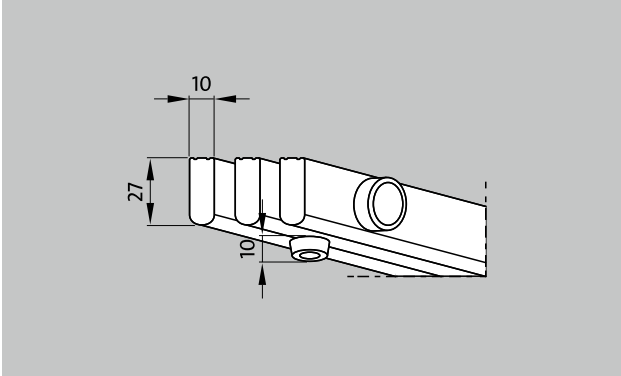


# Model 772



**Description**

Rigid floor grating. Safe, stable and sound workmanship. Its high specific weight prevents the floor grating from floating in water. Special shapes that are circular or with angles available.

**Colours**



White - similar to RAL 9010

Grey - similar to RAL 7001

Beige - similar to RAL 1001

Yellow - similar to RAL 1018

## Model 772

<b>Material</b>	<p>High quality, extremely hard-wearing plastic, with UV absorber.</p> <p>Entirely corrosion-free and resistant to chlorine, sea water and spa water.</p> <p>No need for any metal parts; surface enclosed on all sides to provide maximum hygiene.</p>
<b>Support chassis</b>	<p>Full profile (27 x 10 mm)</p> <p>Underside of grating equipped with 10 mm-high rubber feet</p>
<b>Finish</b>	Flat upper profile surface with safety profile seal (SPS).
<b>Profile spacing:</b>	< 8 mm in accordance with DIN EN 13451-1 and DIN EN 16582-1 (to prevent areas where fingers could become trapped)
<b>Height (mm)</b>	37
<b>Connection</b>	Fibre-glass reinforced polyester pipes as connection elements
<b>Comment</b>	Water drainage

<b>Special shapes</b>	Yes
<b>Water drainage</b>	Yes
<b>Usage area</b>	<p>Public shower areas</p> <p>Barrier-free shower areas</p> <p>Footbaths</p>
<b>Dimensions</b>	Produced to fit width and depth perfectly without the need for alignment profiles
<b>Properties</b>	<p>Aesthetically pleasing</p> <p>Good water drainage</p> <p>Corrosion-free</p> <p>Excellent non-slip properties</p>

<b>Service and services</b>
Dimensioning
Installation service
Repairs

Subject to technical modifications