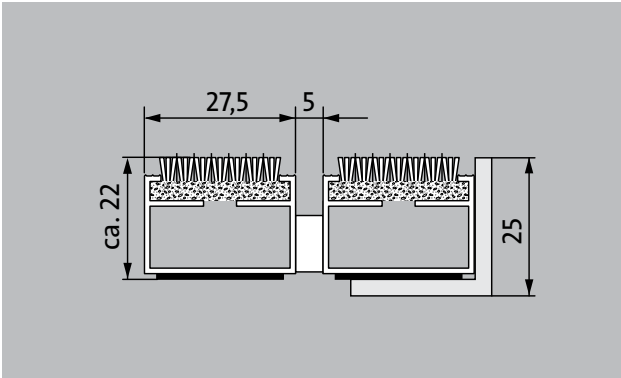


Model 522 P Maximus B



The premium entrance mat with the stylish, carpet-look Maximus insert stands out from the crowd with its premium-quality tufted velour and high-end design. Particularly ideal for collecting fine dirt. The additional profile offers even more cleaning power. Optimally designed for buildings exposed to average to heavy footfall.

- 1
- 2
- 3 Indoor and outdoor (covered, Zone 1+2)

Description

Rollable and hard-wearing premium entrance mat with performance insert for supported installation options. Customisable widths and walking depths available without a compensation profile. Available in any geometric shape.

				
Indoor and outdoor (covered, Zone 1+2)	Street dust, hair, sand, ash, textile fibres, small leaves and twigs, etc.	Damp street dust, damp sand deposits, dust, etc.	5 years guarantee	class 32 (general commercial use)

emco DIPLOMAT Premium With Maximus insert and brush strip

Model 522 P Maximus B

Approx. height (mm)	22	Accessories	emco installation frame 500: 500-25 AL Aluminium
Roll-over and drive-over capability:	Prams	emco installation frame 500: N500-25 AL Aluminium	emco installation frame 500: 500-25 CN Chrome-nickel steel (V2A)
	Sack-/hand truck	emco installation frame 500: N500-25 CN Chrome-nickel steel (V2A)	emco LUMINA: LUMINA + LED Aluminium
	Wheelchairs	emco LUMINA: LUMINA Aluminium	emco LUMINA: LUMINA VIA Aluminium
Standard profile clearance approx. (mm)	5 mm, rubber spacers	emco ramp edge: A17 Aluminium	emco T-profile: T22
Automatic door systems	Profile clearance of 3 mm available as an option for revolving door drives, in accordance with EN 16005	emco cover strip: C22 Chrome-nickel steel (V2A)	emco INOX®: LINEO 22 Chrome-nickel steel (V2A)
Connection	Plastic-coated stainless steel cable	emco INOX®: QUADRO 22 Chrome-nickel steel (V2A)	Rubber underlay 1 mm: GU 1
Max. width/profile length for individual section (mm):	3000	Rubber underlay 3 mm: GU 3	Rubber underlay 5 mm: GU 5
Profile width (mm)	27.5	Mat joining brackets: MV Supplied as standard with mats in several parts	
Depth/walking depth for individual section (mm):	3000		
Weight (kg/m²)	10,7		
Mat divisions as per factory standards or customer specifications	As of a profile length of 3000 mm or a maximum mat weight of 45 kg		
Support chassis	Made using rigid aluminium with Premium sound absorbing insulation on the underside	Suitable for:	Residential and care homes
Tread surface	The stylish Maximus insert stands out from the crowd with its premium-quality tufted velour and high-end design. The additional profile increases the cleaning power.		medical practice
Pile material	100% PA 6.6 (polyamide)		Offices and administrative buildings
Use classification EN1307	class 33 (heavy commercial use)		Family home
			Retail sector
			Hotel
			Kindergarten/Nursery
			Apartment building
			School
			Sports hall
		Insert certified to TÜV PROFICERT- product interior (Standard)	
			French VOC regulation
			LEED v4 (outside North America)
			BREEAM Exemplary Level
			Belgian VOC regulation
			AgBB (Committee for Health-related Evaluation of Building Products)
			MVV TB Appendix 8, 9 / ABG

Model 522 P Maximus B

Service and services	Installation service
Construction site advice	Fitting and installation service
Dimensioning	Repairs
Measured using laser measuring device on site.	The product can be disposed of or recycled in an environmentally friendly way.

Model 522 P Maximus B

Colours



Black 80.01



Black mottled 81.01



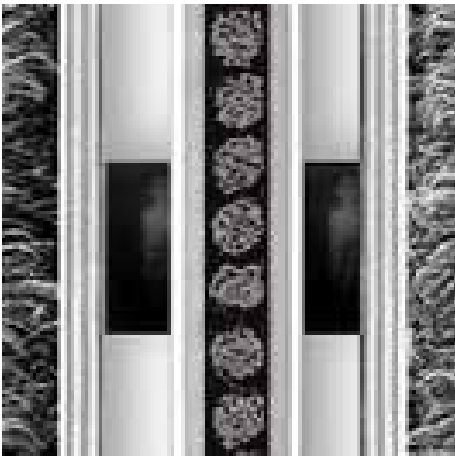
Anthracite 80.02



Brown 80.04



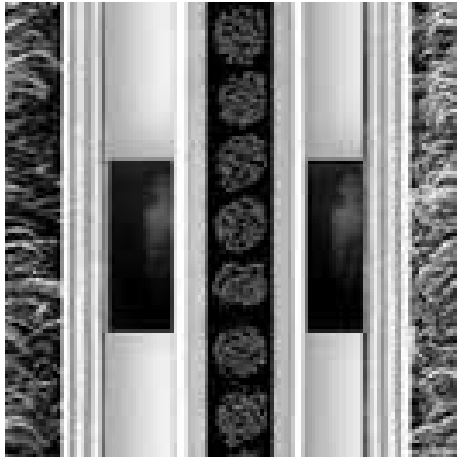
Red 80.07



grey

Model 522 P Maximus B

Colours



Black

Subject to technical modifications

emco Bautechnik GmbH · Breslauer Straße 34 - 38 · D-49808 Lingen (Ems)
· Germany · Phone: +49 (0) 591/9140-500 · Fax: +49 (0) 591/9140-852 · Email:
bau@emco.de · www.emco-bau.com