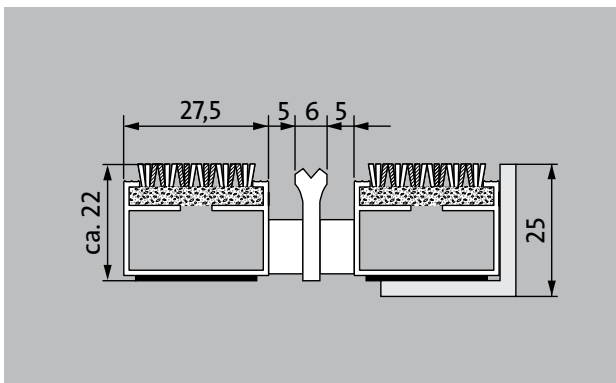


Model 522 P Conform K



The premium entrance mat with the Conform insert made of recycled materials is the perfect complement to wooden surroundings and can be used in a whole host of environments. Particularly ideal for collecting fine dirt. Optimally designed for buildings exposed to extreme footfall.

1 **2** **3** Indoor and outdoor (covered, Zone 1+2)

Description

Rollable and hard-wearing premium entrance mat with performance insert for supported installation options. Customisable widths and walking depths available without a compensation profile. Available in any geometric shape.



Indoor and outdoor (covered, Zone 1+2)



Street dust, hair, sand, ash, textile fibres, small leaves and twigs, etc.



Damp street dust, damp sand deposits, dust, etc.



5 years guarantee



Cfl-s1



class 32 (general commercial use)

Model 522 P Conform K

Approx. height (mm)	22	Accessories
Roll-over and drive-over capability:	Prams	emco installation frame 500: 500-25 AL Aluminium
	Sack-/hand truck	emco installation frame 500: N500-25 AL Aluminium
	Wheelchairs	emco installation frame 500: 500-25 CN Chrome-nickel steel (V2A)
Standard profile clearance approx. (mm)	5 mm, rubber spacers	emco installation frame 500: N500-25 CN Chrome-nickel steel (V2A)
Automatic door systems	Profile clearance of 3 mm available as an option for revolving door drives, in accordance with EN 16005	emco LUMINA: LUMINA + LED Aluminium
Connection	Plastic-coated stainless steel cable	emco LUMINA: LUMINA Aluminium
Max. width/profile length for individual section (mm):	3000	emco LUMINA: LUMINA VIA Aluminium
Profile width (mm)	27.5	emco ramp edge: A17 Aluminium
Depth/walking depth for individual section (mm):	3000	emco T-profile: T22
Weight (kg/m²)	12,2	emco cover strip: C22 Chrome-nickel steel (V2A)
Mat divisions as per factory standards or customer specifications	As of a profile length of 3000 mm or a maximum mat weight of 45 kg	emco INOX®: LINEO 22 Chrome-nickel steel (V2A)
Support chassis	Made using rigid aluminium with Premium sound absorbing insulation on the underside	emco INOX®: QUADRO 22 Chrome-nickel steel (V2A)
Tread surface	The Conform insert made of recycled materials is the perfect complement to wooden surroundings and can be used in a whole host of environments. The additional profile increases the cleaning power.	Rubber underlay 1 mm: GU 1
Flammability	Insert with fire classification Cf1-s1 according to EN 13501.	Rubber underlay 3 mm: GU 3
Pile material	100% PA 6 (polyamide)	Rubber underlay 5 mm: GU 5
Use classification EN1307	class 33 (heavy commercial use)	Mat joining brackets: MV Supplied as standard with mats in several parts
		Suitable for:
		Residential and care homes
		medical practice
		Offices and administrative buildings
		Family home
		Retail sector
		Hotel
		Kindergarten/Nursery
		Apartment building
		School
		Sports hall
		Insert certified to TÜV PROFICERT- product interior (Standard)
		French VOC regulation
		LEED v4 (outside North America)
		BREEAM Exemplary Level
		Belgian VOC regulation
		AgBB (Committee for Health-related Evaluation of Building Products)
		MVV TB Appendix 8, 9 / ABG

emco DIPLOMAT Premium With Conform insert and scraping edge

Model 522 P Conform K

Service and services	Installation service
Construction site advice	Fitting and installation service
Dimensioning	Repairs
Measured using laser measuring device on site.	The product can be disposed of or recycled in an environmentally friendly way.



Model 522 P Conform K

Colours



76.01 Anthracite



76.02 Beige



76.04 Brown

Subject to technical modifications

emco Bautechnik GmbH · Breslauer Straße 34 - 38 · D-49808 Lingen (Ems)
· Germany · Phone: +49 (0) 591/9140-500 · Fax: +49 (0) 591/9140-852 · Email:
bau@emco.de · www.emco-bau.com

