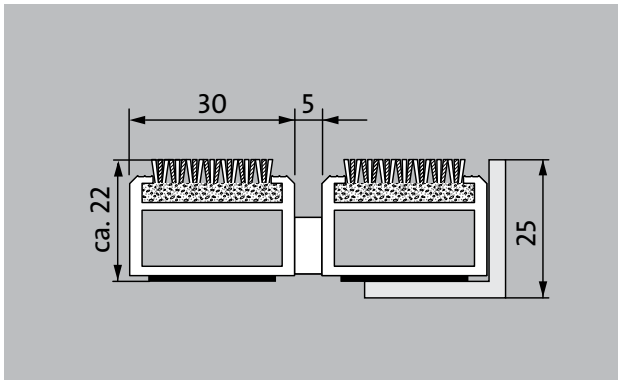
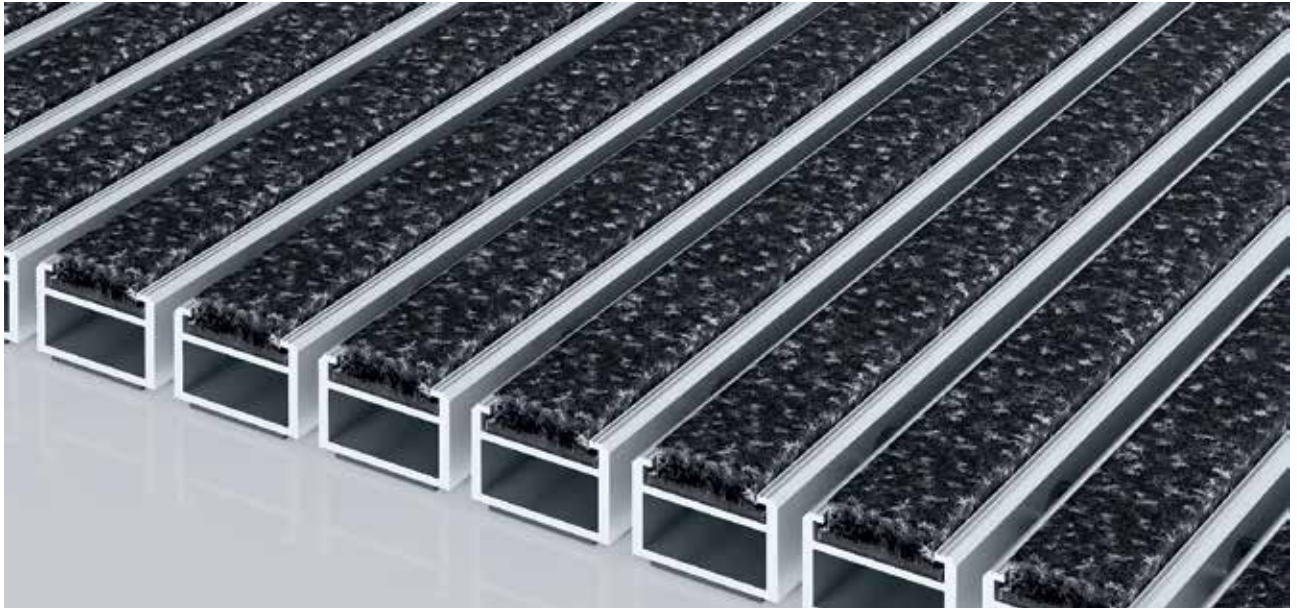




# Model 522 PS Innova



The premium entrance mat with the exceptionally flexible Innova insert not only creates a sophisticated impression but also improves room acoustics. Particularly ideal for collecting fine dirt. Optimally designed for buildings exposed to extreme footfall.

- 1 2 3 Indoor and outdoor (covered, Zone 1+2)

### Description

Rollable, extremely hard-wearing, premium entrance mat with performance insert for supported installation options. Also capable of withstanding wheeled traffic. Customisable widths and walking depths available without a compensation profile. Available in any geometric shape.



Indoor and outdoor (covered, Zone 1+2)



Street dust, hair, sand, ash, textile fibres, small leaves and twigs, etc.



Damp street dust, damp sand deposits, dust, etc.



R 12 slip resistance as per DIN 51130



5 years guarantee



Cfl-s1



class 31 (moderate commercial use)

## Model 522 PS Innova

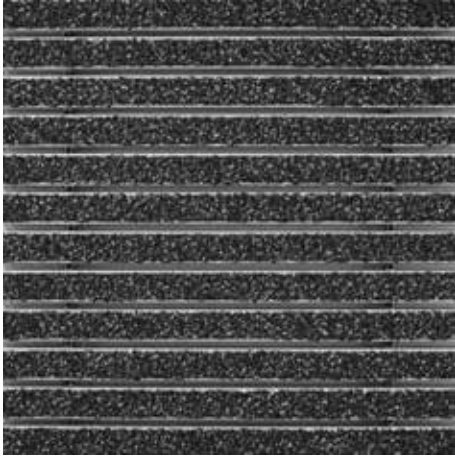
|  |  |  |        |
|--|--|--|--------|
| <b>Approx. height (mm)</b>   | 22   | <b>Bacterial reduction klebsiella pneumoniae ASTM-e2149</b>  | 83,6 % |
| <b>Roll-over and drive-over capability:</b>                              | Prams  | <b>Accessories</b>   |        |
|  | Sack-/hand truck   |  |        |
|  | Wheelchairs  |  |        |
|  | Light shopping trolleys  |  |        |
|  | hand trolleys  |  |        |
|  | pallet trucks  |  |        |
|  | Electric lift truck  |  |        |
|  | Cars   |  |        |
|  | Lifting platform (i.e scissor lift )   |  |        |
| <b>Standard profile clearance approx. (mm)</b>                           | 5 mm, rubber spacers   | emco installation frame 500: 500-25 AL Aluminium   |        |
| <b>Automatic door systems</b>  | Profile clearance of 3 mm available as an option for revolving door drives, in accordance with EN 16005                | emco installation frame 500: N500-25 AL Aluminium  |        |
| <b>Connection</b>  | Plastic-coated stainless steel cable   | emco installation frame 500: 500-25 CN Chrome-nickel steel (V2A)   |        |
| <b>Max. width/profile length for individual section (mm):</b>            | 3000   | emco installation frame 500: N500-25 CN Chrome-nickel steel (V2A)  |        |
| <b>Profile width (mm)</b>  | 30   | emco LUMINA: LUMINA + LED Aluminium  |        |
| <b>Depth/walking depth for individual section (mm):</b>                  | 3000   | emco LUMINA: LUMINA Aluminium  |        |
| <b>Weight (kg/m<sup>2</sup>)</b>   | 16,8   | emco LUMINA: LUMINA VIA Aluminium  |        |
| <b>Mat divisions as per factory standards or customer specifications</b> | As of a profile length of 3000 mm or a maximum mat weight of 45 kg   | emco ramp edge: A17 Aluminium  |        |
| <b>Support chassis</b>   | Reinforced support chassis made using rigid aluminium with Premium sound absorbing insulation on the underside         | emco T-profile: T22  |        |
| <b>Tread surface</b>   | The exceptionally flexible Innova insert not only creates a sophisticated impression but also improves room acoustics. | emco cover strip: C22 Chrome-nickel steel (V2A)  |        |
| <b>Slip resistance</b>   | R 12 slip resistance as per DIN 51130  | emco INOX®: LINEO 22 Chrome-nickel steel (V2A)   |        |
| <b>Flammability</b>  | Fire classification for the complete mat system Cfl-s1 in accordance with EN 13501                                     | emco INOX®: QUADRO 22 Chrome-nickel steel (V2A)  |        |
| <b>Pile material</b>   | 100% PA 6 (polyamide)  | emco dirt collection well: 5000 AL Aluminium   |        |
| <b>Use classification EN1307</b>   | class 33 (heavy commercial use)  | emco dirt collection well: 5000 CN Chrome-nickel steel (V2A)   |        |
| <b>Colour fastness to artificial light ISO 105-B02</b>                   | good 5-6   | emco dirt collection well: 5000 AL+ Aluminium  |        |
| <b>Colour fastness to rubbing ISO 105 X12</b>                            | good 4-5   | emco dirt collection well: 5000 CN+ Chrome-nickel steel (V2A)  |        |
| <b>Colour fastness to water ISO 105 E01</b>                              | good 4-5   | emco dirt collection well: 5022 AL Aluminium   |        |
| <b>Bacterial reduction EHEC ASTM-e2149</b>                               | 8,4 %  | emco dirt collection well: 5022 CN Chrome-nickel steel (V2A)   |        |
| <b>Bacterial reduction staphylococcus aureus ASTM-e2149</b>              | 51,7 %   | emco dirt collection well: 5022 AL+ Aluminium  |        |
|  |  | emco dirt collection well: 5022 CN+ Chrome-nickel steel (V2A)  |        |
|  |  | emco special frame with substructure: A Version A: with installation frame, rectangular tube profiles, grid support and height adjustment. |        |
|  |  | emco special frame with substructure: B Version B: with installation frame, grid support and rectangular tube profiles                     |        |
|  |  | emco special frame with substructure: C Type C: with installation frame and rectangular tube profiles                                      |        |
|  |  | Rubber underlay 1 mm: GU 1   |        |
|  |  | Rubber underlay 3 mm: GU 3   |        |
|  |  | Rubber underlay 5 mm: GU 5   |        |
|  |  | Mat joining brackets: MV Supplied as standard with mats in several parts   |        |

## Model 522 PS Innova

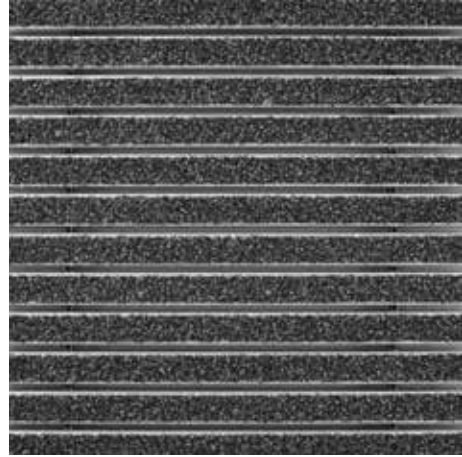
|   |  |
|---|--|
| <b>Suitable for:</b>                      | Sports hall  |
| Residential and care homes                | Supermarket  |
| Arena                                     |  |
| medical practice                          | <b>Insert certified to TÜV PROFICERT- product interior (Standard)</b>          |
| Train station                             | French VOC regulation  |
| DIY store                                 | LEED v4 (outside North America)  |
| Offices and administrative buildings      | BREEAM Exemplary Level   |
| Family home                               | Belgian VOC regulation   |
| Shopping centre                           | AgBB (Committee for Health-related Evaluation of Building Products)            |
| Retail sector                             | MVV TB Appendix 8, 9 / ABG   |
| University / Higher education institution |  |
| airport                                   | <b>Service and services</b>  |
| Hotel                                     | Construction site advice   |
| Industry                                  | Dimensioning   |
| Kindergarten/Nursery                      | Measured using laser measuring device on site.                                 |
| Clinic/Hospital                           | Installation service   |
| Warehouse                                 | Fitting and installation service   |
| Apartment building                        | Repairs  |
| Trade fair                                | The product can be disposed of or recycled in an environmentally friendly way. |
| School                                    |  |

## Model 522 PS Innova

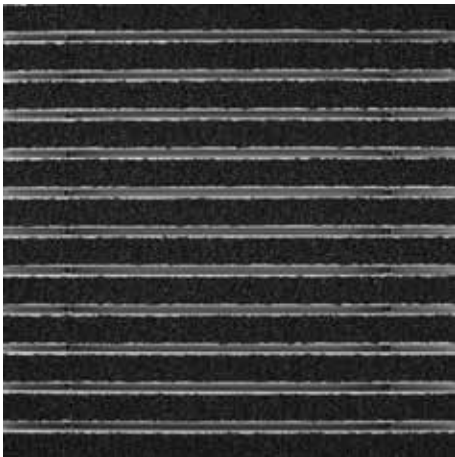
### Colours



36.02 anthracite



36.03 grey



36.01 black

Subject to technical modifications

emco Bautechnik GmbH · Breslauer Straße 34 - 38 · D-49808 Lingen (Ems)  
· Germany · Phone: +49 (0) 591/9140-500 · Fax: +49 (0) 591/9140-852 · Email:  
bau@emco.de · www.emco-bau.com

