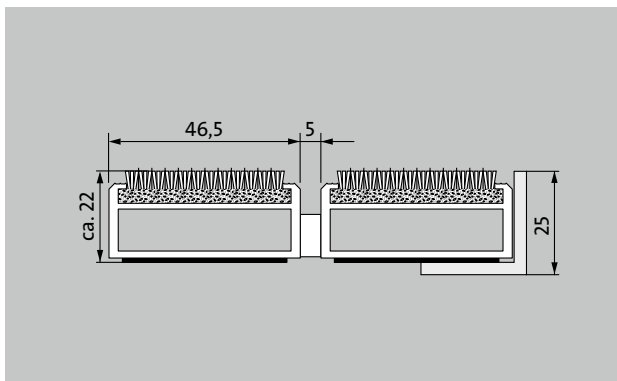


Model 522 PSL Maximus Image

1 **2** **3** Indoor and outdoor
(covered, Zone 1+2)

The extra-wide premium entrance mat with the Maximus Image insert for single-colour printing of individual colour preferences is the number-one choice for environments that call for a unique design and exceptional reduction of fine dirt. Optimally designed for buildings exposed to extreme footfall.



Description

Rollable, extremely hard-wearing, premium entrance mat with extra-wide profile bars and performance insert for supported and self-supporting installation options. Also capable of withstanding wheeled traffic. Suitable for single-colour printing of individual colour preferences. Customisable widths and walking depths available without a compensation profile. Available in any geometric shape.



Indoor and outdoor (covered, Zone 1+2)



Street dust, hair, sand, ash, textile fibres, small leaves and twigs, etc.



Damp street dust, damp sand deposits, dust, etc.



R 12 slip resistance as per DIN 51130



Bfl-s1



Highly suitable for property

Model 522 PSL Maximus Image

Colours

| | | | | | | | |
|---|---|---|---|---|--|---|---|
|  |  |  |  |  |  |  |  |
| I10 Lemon | I20 Yellow | I30 Yellow/orange | I40 Orange | I50 Terracotta | I60 Red | I70 Oxide red | I80 Bordeaux |
|  |  |  |  |  |  |  |  |
| I90 Light red | I100 Cherry | I110 Purple | I120 Lilac | I130 Grape | I140 Magenta | I150 Peach | I160 Royal blue |
|  |  |  |  |  |  |  |  |
| I170 Light blue | I180 Petrol blue | I190 Emerald green | I200 Marine blue | I210 Dark green | I220 Mint | I230 Leaf green | I240 Reed green |
|  |  |  |  |  |  |  |  |
| I250 Green | I260 Brown | I270 Graphite | I280 Steel blue | I290 Light blue | I300 Silver | I310 Fawn brown | I320 Sand |
|  |  |  |  |  |  |  |  |
| I330 Chestnut | I340 Grey beige | I350 Blue grey | I360 Light grey | I370 Grey | I380 Dark grey | I390 Black | I400 White* |
|  |  |  |  |  |  |  |  |
| I410 Steel grey | I420 Gold | I430 Salmon pink | I440 Light green | I450 Sunset | Anthracite 80.02 | Brown 80.04 | Red 80.07 |
|  |  | | | | | | |
| Black mottled 81.01 | Black 80.01 | | | | | | |

Model 522 PSL Maximus Image

| | |
|--|---|
| Approx. height (mm) | 22 |
| Note on height | The insert can actually be approx. 2-3 mm higher due to the wear layer. |
| Roll-over and drive-over capability: | <p>Prams</p> <p>Sack-/hand truck</p> <p>Wheelchairs</p> <p>Light shopping trolleys</p> <p>hand trolleys</p> <p>pallet trucks</p> <p>Electric lift truck</p> <p>Cars</p> <p>Lifting platform (i.e scissor lift)</p> |
| Standard profile clearance approx. (mm) | 5 mm, rubber spacers |
| Automatic door systems | Profile clearance of 3 mm available as an option for revolving door drives, in accordance with EN 16005 |
| Connection | Plastic-coated stainless steel cable |
| Max. width/profile length for individual section (mm): | 3000 |
| Profile width (mm) | 46.5 |
| Depth/walking depth for individual section (mm): | 800 |
| Weight (kg/m²) | 14,3 |
| Mat divisions as per factory standards or customer specifications | As of a profile length of 3000 mm or a maximum mat weight of 45 kg |
| Support chassis | Reinforced support chassis made using rigid aluminium with Premium sound absorbing insulation on the underside |
| Tread surface | Embedded, robust MAXIMUS inserts in Bfl-S1 quality (clean-off floor covering made from special polyamide yarn, 100%) |
| Slip resistance | R 12 slip resistance as per DIN 51130 |
| Flammability | Fire classification for the complete mat system Bfl-s1 in accordance with EN 13501 |
| Pile material | 100% PA 6.6 (polyamide) |
| Use classification EN1307 | class 33 (heavy commercial use) |
| Colour fastness to artificial light ISO 105-B02 | good 5-6 |
| Colour fastness to rubbing ISO 105 X12 | good 5 |
| Colour fastness to water ISO 105 E01 | good 5 |

| | |
|---|--------|
| Bacterial reduction EHEC ASTM-e2149 | 29,4 % |
| Bacterial reduction staphylococcus aureus ASTM-e2149 | 16,7 % |
| Bacterial reduction klebsiella pneumoniae ASTM-e2149 | 68,2 % |

| Accessories | |
|--|--|
| emco installation frame 500: 500-25 AL Aluminium | |
| emco installation frame 500: 500-25 CN Chrome-nickel steel (V2A) | |
| emco installation frame 500: 500-25 MS Natural brass | |
| emco LUMINA: LUMINA + LED Aluminium | |
| emco LUMINA: LUMINA Aluminium | |
| emco LUMINA: LUMINA VIA Aluminium | |
| emco ramp edge: A17 Aluminium | |
| emco T-profile: T22 | |
| emco cover strip: C22 Chrome-nickel steel (V2A) | |
| emco INOX®: LINEO 22 Chrome-nickel steel (V2A) | |
| emco INOX®: QUADRO 22 Chrome-nickel steel (V2A) | |
| emco dirt collection well: 5000 AL Aluminium | |
| emco dirt collection well: 5022 AL Aluminium | |
| emco dirt collection well: 5000 CN Chrome-nickel steel (V2A) | |
| emco dirt collection well: 5022 CN Chrome-nickel steel (V2A) | |
| emco special frame with substructure: A Version A: with installation frame, rectangular tube profiles, grid support and height adjustment. | |
| emco special frame with substructure: B Version B: with installation frame, grid support and rectangular tube profiles | |
| emco special frame with substructure: C Type C: with installation frame and rectangular tube profiles | |
| Rubber underlay 1 mm: GU 1 | |
| Rubber underlay 3 mm: GU 3 | |
| Rubber underlay 5 mm: GU 5 | |
| Mat joining brackets: MV Supplied as standard with mats in several parts | |

Model 522 PSL Maximus Image

Suitable for:

Residential and care homes

Arena

medical practice

Train station

DIY store

Offices and administrative buildings

Family home

Shopping centre

Retail sector

University / Higher education institution

airport

Hotel

Industry

Kindergarten/Nursery

Clinic/Hospital

Warehouse

Apartment building

Trade fair

School

Sports hall

Supermarket

Insert certified to TÜV PROFiCERT- product interior (Standard)

French VOC regulation

LEED v4 (outside North America)

BREEAM Exemplary Level

Belgian VOC regulation

AgBB (Committee for Health-related Evaluation of Building Products)

MVV TB Appendix 8, 9 / ABG

Service and services

Construction site advice

Dimensioning

Measured using laser measuring device on site.

Installation service

Fitting and installation service

Repairs

The product can be disposed of or recycled in an environmentally friendly way.

Subject to technical modifications