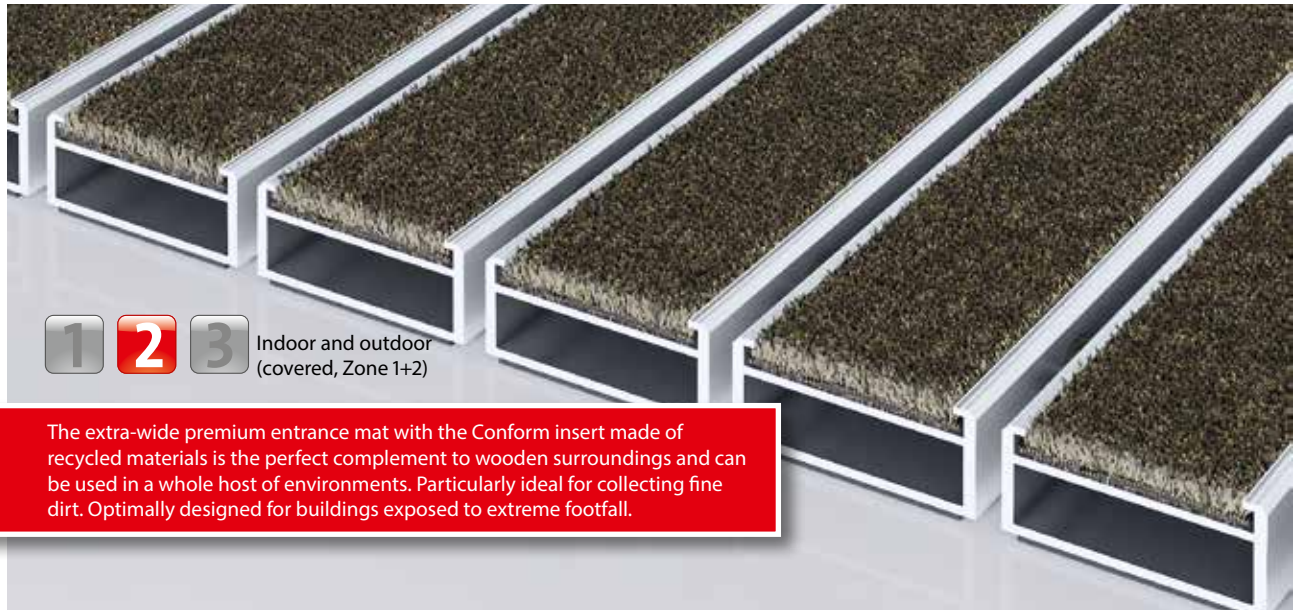
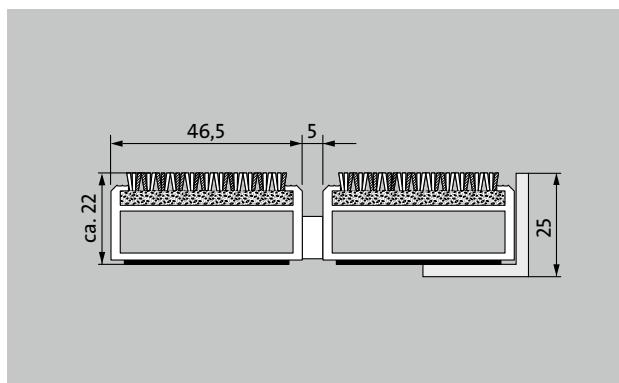


## Model 522 PSL Conform



**1** **2** **3** Indoor and outdoor (covered, Zone 1+2)

The extra-wide premium entrance mat with the Conform insert made of recycled materials is the perfect complement to wooden surroundings and can be used in a whole host of environments. Particularly ideal for collecting fine dirt. Optimally designed for buildings exposed to extreme footfall.



### Description

Roll-up, extremely hard-wearing Premium entrance mat with extra-wide profiles and Performance insert for recess installation. Can be rolled over and even driven over. Customise the width and depth without alignment profile. Available in any geometric shape.



Indoor and outdoor (covered, Zone 1+2)



Street dust, hair, sand, ash, textile fibres, small leaves and twigs, etc.



Damp street dust, damp sand deposits, dust, etc.



R 12 slip resistance as per DIN 51130



Cfl-s1



Highly suitable for property

## Model 522 PSL Conform

<b>Approx. height (mm)</b>	22
<b>Note on height</b>	The insert can actually be approx. 2 mm higher due to the wear layer.
<b>Roll-over and drive-over capability:</b>	<p>Prams</p> <p>Sack-/hand truck</p> <p>Wheelchairs</p> <p>Light shopping trolleys</p> <p>hand trolleys</p> <p>pallet trucks</p> <p>Electric lift truck</p> <p>Cars</p> <p>Lifting platform (i.e scissor lift )</p>
<b>Standard profile clearance approx. (mm)</b>	5 mm, rubber spacers
<b>Automatic door systems</b>	Profile clearance of 3 mm available as an option for revolving door drives, in accordance with EN 16005
<b>Connection</b>	Plastic-coated stainless steel cable
<b>Max. width/profile length for individual section (mm):</b>	3000
<b>Profile width (mm)</b>	46.5
<b>Depth/walking depth for individual section (mm):</b>	800
<b>Weight (kg/m<sup>2</sup>)</b>	14,5
<b>Mat divisions as per factory standards or customer specifications</b>	As of a profile length of 3000 mm or a maximum mat weight of 45 kg
<b>Support chassis</b>	Reinforced support chassis made using rigid aluminium with Premium sound absorbing insulation on the underside
<b>Tread surface</b>	The Conform insert made of recycled materials is the perfect complement to wooden surroundings and can be used in a whole host of environments.
<b>Slip resistance</b>	R 12 slip resistance as per DIN 51130
<b>Flammability</b>	Fire classification for the complete mat system Cfl-s1 in accordance with EN 13501
<b>Pile material</b>	100% PA 6 (polyamide)
<b>Use classification EN1307</b>	class 33 (heavy commercial use)
<b>Bacterial reduction EHEC ASTM-e2149</b>	16,1 %
<b>Bacterial reduction staphylococcus aureus ASTM-e2149</b>	0,0 %

<b>Bacterial reduction klebsiella pneumoniae ASTM-e2149</b>	65,6 %
---	--------

<b>Accessories</b>	
emco installation frame 500: 500-25 AL Aluminium	
emco installation frame 500: 500-25 CN Chrome-nickel steel (V2A)	
emco installation frame 500: 500-25 MS Natural brass	
emco LUMINA: LUMINA + LED Aluminium	
emco LUMINA: LUMINA Aluminium	
emco LUMINA: LUMINA VIA Aluminium	
emco ramp edge: A17 Aluminium	
emco T-profile: T22	
emco cover strip: C22 Chrome-nickel steel (V2A)	
emco INOX®: LINEO 22 Chrome-nickel steel (V2A)	
emco INOX®: QUADRO 22 Chrome-nickel steel (V2A)	
emco dirt collection well: 5000 AL Aluminium	
emco dirt collection well: 5022 AL Aluminium	
emco dirt collection well: 5000 CN Chrome-nickel steel (V2A)	
emco dirt collection well: 5022 CN Chrome-nickel steel (V2A)	
emco special frame with substructure: A Version A: with installation frame, rectangular tube profiles, grid support and height adjustment.	
emco special frame with substructure: B Version B: with installation frame, grid support and rectangular tube profiles	
emco special frame with substructure: C Type C: with installation frame and rectangular tube profiles	
Rubber underlay 1 mm: GU 1	
Rubber underlay 3 mm: GU 3	
Rubber underlay 5 mm: GU 5	
Mat joining brackets: MV Supplied as standard with mats in several parts	

## Model 522 PSL Conform

### Suitable for:

Residential and care homes

Arena

medical practice

Train station

DIY store

Offices and administrative buildings

Family home

Shopping centre

Retail sector

University / Higher education institution

airport

Hotel

Industry

Kindergarten/Nursery

Clinic/Hospital

Warehouse

Apartment building

Trade fair

School

Sports hall

Supermarket

### Insert certified to TÜV PROFiCERT- product interior (Standard)

French VOC regulation

LEED v4 (outside North America)

BREEAM Exemplary Level

Belgian VOC regulation

AgBB (Committee for Health-related Evaluation of Building Products)

MVV TB Appendix 8, 9 / ABG

### Service and services

Construction site advice

Dimensioning

Measured using laser measuring device on site.

Installation service

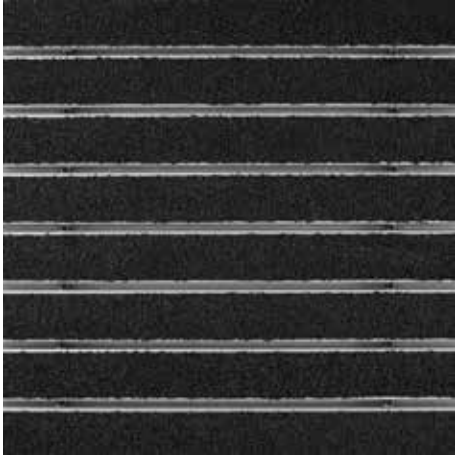
Fitting and installation service

Repairs

The product can be disposed of or recycled in an environmentally friendly way.

## Model 522 PSL Conform

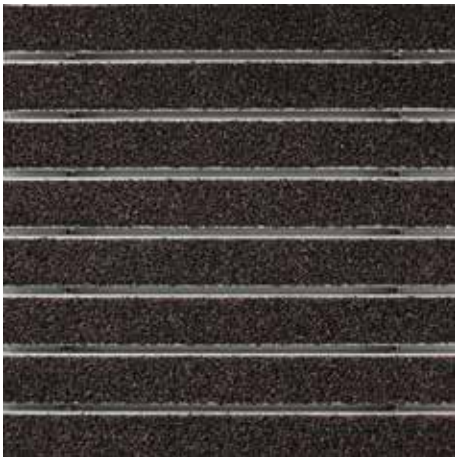
### Colours



Anthracite 76.01



Beige 76.02



Brown 76.04

Subject to technical modifications

emco Bautechnik GmbH · Breslauer Straße 34 - 38 · D-49808 Lingen (Ems)  
· Germany · Phone: +49 (0) 591/9140-500 · Fax: +49 (0) 591/9140-852 · Email:  
bau@emco.de · www.emco-bau.com

