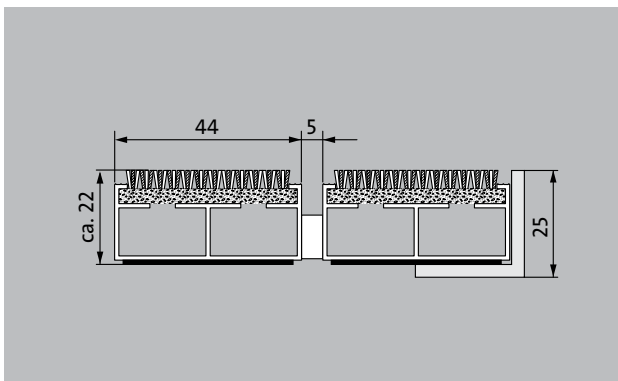




Model 522 PL Innova



The extra-wide premium entrance mat with the exceptionally flexible Innova insert not only creates a sophisticated impression but also improves room acoustics. Particularly ideal for collecting fine dirt. Optimally designed for buildings exposed to average to heavy footfall.

- 1
2
3
 Indoor and outdoor (covered, Zone 1+2)

Description

Rollable and hard-wearing premium entrance mat with extra-wide profile bars and performance insert for supported installation options. Customisable widths and walking depths available without a compensation profile. Available in any geometric shape.



Indoor and outdoor (covered, Zone 1+2)



Street dust, hair, sand, ash, textile fibres, small leaves and twigs, etc.



Damp street dust, damp sand deposits, dust, etc.



R 12 slip resistance as per DIN 51130



5 years guarantee



Cfl-s1



class 31 (moderate commercial use)

emco DIPLOMAT Premium Large With Innova insert

Model 522 PL Innova

Approx. height (mm)	22	Accessories
Roll-over and drive-over capability:	Prams	emco installation frame 500: 500-25 AL Aluminium
	Sack-/hand truck	emco installation frame 500: N500-25 AL Aluminium
	Wheelchairs	emco installation frame 500: 500-25 CN Chrome-nickel steel (V2A)
	Light shopping trolleys	emco installation frame 500: N500-25 CN Chrome-nickel steel (V2A)
	hand trolleys	emco LUMINA: LUMINA + LED Aluminium
Standard profile clearance approx. (mm)	5 mm, rubber spacers	emco LUMINA: LUMINA Aluminium
Automatic door systems	Profile clearance of 3 mm available as an option for revolving door drives, in accordance with EN 16005	emco LUMINA: LUMINA VIA Aluminium
Connection	Plastic-coated stainless steel cable	emco ramp edge: A17 Aluminium
Max. width/profile length for individual section (mm):	3000	emco T-profile: T22
Profile width (mm)	44	emco cover strip: C22 Chrome-nickel steel (V2A)
Depth/walking depth for individual section (mm):	1500	emco INOX®: LINEO 22 Chrome-nickel steel (V2A)
Weight (kg/m²)	10,2	emco INOX®: QUADRO 22 Chrome-nickel steel (V2A)
Mat divisions as per factory standards or customer specifications	As of a profile length of 3000 mm or a maximum mat weight of 45 kg	Rubber underlay 1 mm: GU 1
Support chassis	Made using rigid aluminium with Premium sound absorbing insulation on the underside	Rubber underlay 3 mm: GU 3
Tread surface	The exceptionally flexible Innova insert not only creates a sophisticated impression but also improves room acoustics.	Rubber underlay 5 mm: GU 5
Slip resistance	R 12 slip resistance as per DIN 51130	Mat joining brackets: MV Supplied as standard with mats in several parts
Flammability	Fire classification for the complete mat system Cf1-s1 in accordance with EN 13501	Suitable for:
Pile material	100% PA 6 (polyamide)	Residential and care homes
Use classification EN1307	class 33 (heavy commercial use)	medical practice
Colour fastness to artificial light ISO 105-B02	good 5-6	Offices and administrative buildings
Colour fastness to rubbing ISO 105 X12	good 4-5	Family home
Colour fastness to water ISO 105 E01	good 4-5	Retail sector
Bacterial reduction EHEC ASTM-e2149	8,4 %	Hotel
Bacterial reduction staphylococcus aureus ASTM-e2149	51,7 %	Kindergarten/Nursery
Bacterial reduction klebsiella pneumoniae ASTM-e2149	83,6 %	Apartment building
		School
		Sports hall
		Insert certified to TÜV PROFICERT- product interior (Standard)
		French VOC regulation
		LEED v4 (outside North America)
		BREEAM Exemplary Level
		Belgian VOC regulation
		AgBB (Committee for Health-related Evaluation of Building Products)
		MVV TB Appendix 8, 9 / ABG

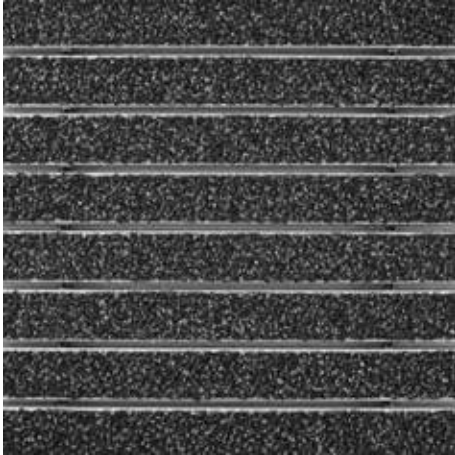
emco DIPLOMAT Premium Large With Innova insert

Model 522 PL Innova

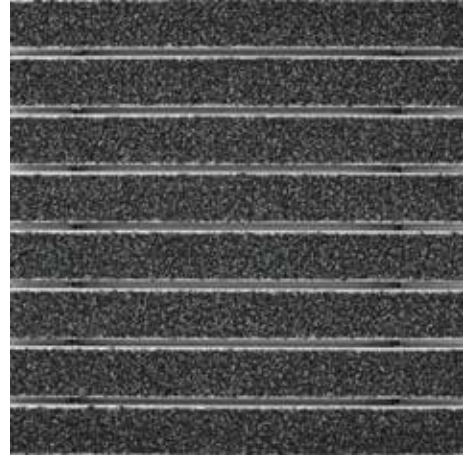
Service and services	Installation service
Construction site advice	Fitting and installation service
Dimensioning	Repairs
Measured using laser measuring device on site.	The product can be disposed of or recycled in an environmentally friendly way.

Model 522 PL Innova

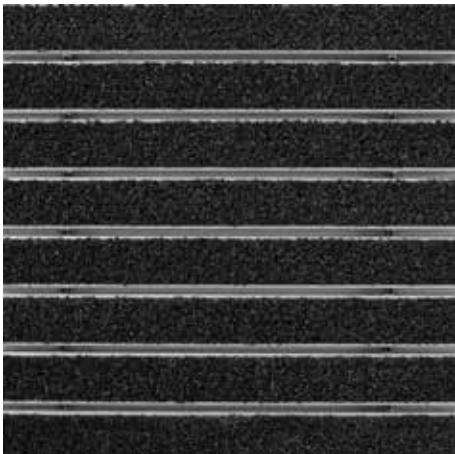
Colours



36.02 anthracite



36.03 grey



36.01 black

Subject to technical modifications

emco Bautechnik GmbH · Breslauer Straße 34 - 38 · D-49808 Lingen (Ems)
· Germany · Phone: +49 (0) 591/9140-500 · Fax: +49 (0) 591/9140-852 · Email:
bau@emco.de · www.emco-bau.com

