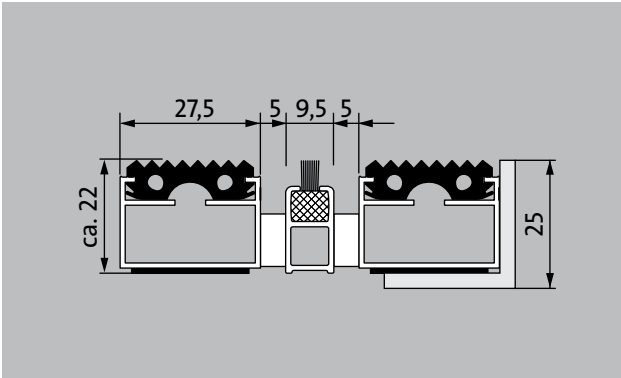
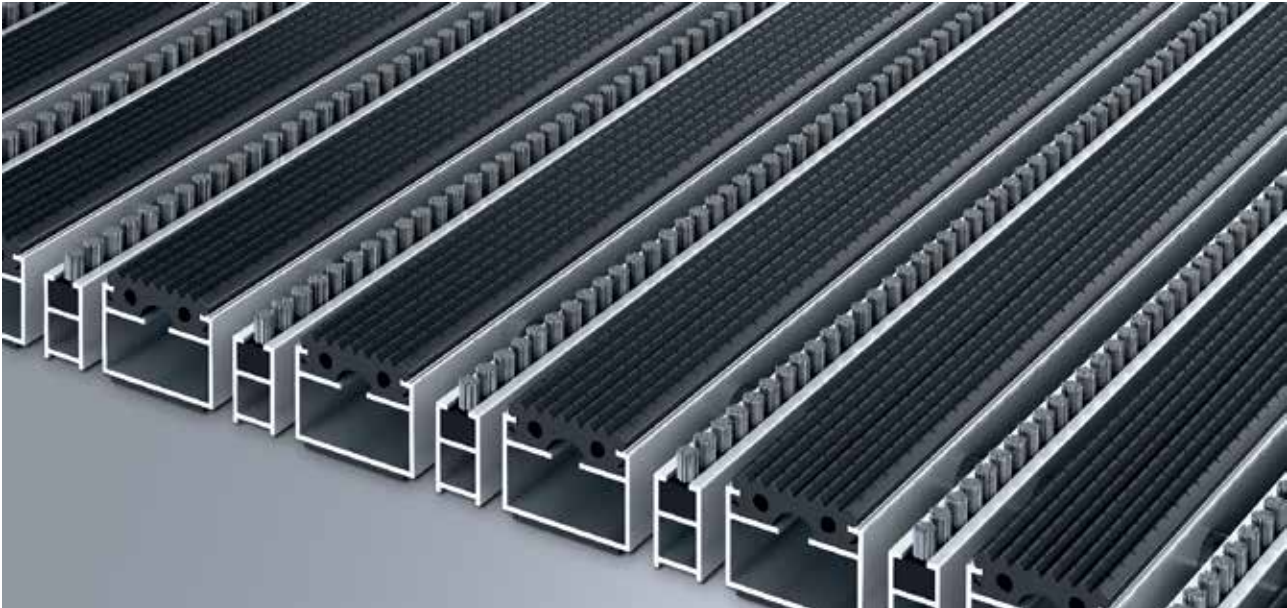


# Model 522 GB



The original entrance mat with the profiled rubber insert for noticeably thorough removal of coarse dirt. The additional profile offers even more cleaning power. Optimally designed for buildings exposed to average to heavy footfall.

**1** **2** **3** Outside (Zone 1)

**Description**

Rollable and hard-wearing original entrance mat with standard insert for supported installation options. Customisable widths and walking depths available without a compensation profile. Available in any geometric shape.



Outside (Zone 1)



Street dust, hair, sand, ash, textile fibres, small leaves and twigs, loose chippings, coarse sand, small gravel particles



Quality assurance courtesy of Bielefeld University of Applied Sciences



4 year warranty

# emco DIPLOMAT Original With rubber insert and brush strip

## Model 522 GB

|  |   |  |
|--|---|--|
| <b>Approx. height (mm)</b>   | 22  | <b>Accessories</b>   |
| <b>Roll-over and drive-over capability:</b>                              | Prams   | emco installation frame 500: 500-25 AL Aluminium                               |
|  | Sack-/hand truck  | emco installation frame 500: N500-25 AL Aluminium                              |
|  | Wheelchairs   | emco installation frame 500: 500-25 CN Chrome-nickel steel (V2A)               |
| <b>Standard profile clearance approx. (mm)</b>                           | 5 mm, rubber spacers  | emco installation frame 500: N500-25 CN Chrome-nickel steel (V2A)              |
| <b>Automatic door systems</b>  | Profile clearance of 3 mm available as an option for revolving door drives, in accordance with EN 16005   | emco LUMINA: LUMINA + LED Aluminium  |
|  |   | emco LUMINA: LUMINA Aluminium  |
| <b>Connection</b>  | Plastic-coated steel cable  | emco LUMINA: LUMINA VIA Aluminium  |
| <b>Max. width/profile length for individual section (mm):</b>            | 3000  | emco ramp edge: A17 Aluminium  |
|  |   | emco T-profile: T22  |
| <b>Profile width (mm)</b>  | 27.5  | emco cover strip: C22 Chrome-nickel steel (V2A)                                |
| <b>Depth/walking depth for individual section (mm):</b>                  | 3000  | emco INOX®: LINEO 22 Chrome-nickel steel (V2A)                                 |
|  |   | emco INOX®: QUADRO 22 Chrome-nickel steel (V2A)                                |
| <b>Weight (kg/m<sup>2</sup>)</b>   | 13.1  | Rubber underlay 1 mm: GU 1   |
| <b>Mat divisions as per factory standards or customer specifications</b> | As of a profile length of 3000 mm or a maximum mat weight of 45 kg  | Rubber underlay 3 mm: GU 3   |
|  |   | Rubber underlay 5 mm: GU 5   |
| <b>Support chassis</b>   | Made using rigid aluminium with sound absorbing insulation on the underside                               | Mat joining brackets: MV Supplied as standard with mats in several parts       |
| <b>Tread surface</b>   | Recessed, robust, weather-proof profiled rubber inserts.  | <b>Suitable for:</b>   |
| <b>Flammability</b>  | Insert available on request (surcharge applicable) with fire classification Cfl-s1 according to EN 13501. | Residential and care homes   |
|  |   | medical practice   |
|  |   | Offices and administrative buildings   |
|  |   | Family home  |
|  |   | Retail sector  |
|  |   | Hotel  |
|  |   | Kindergarten/Nursery   |
|  |   | Apartment building   |
|  |   | School   |
|  |   | Sports hall  |
|  |   | <b>Service and services</b>  |
|  |   | Construction site advice   |
|  |   | Dimensioning   |
|  |   | Measured using laser measuring device on site.                                 |
|  |   | Installation service   |
|  |   | Fitting and installation service   |
|  |   | Repairs  |
|  |   | The product can be disposed of or recycled in an environmentally friendly way. |

# emco DIPLOMAT Original With rubber insert and brush strip

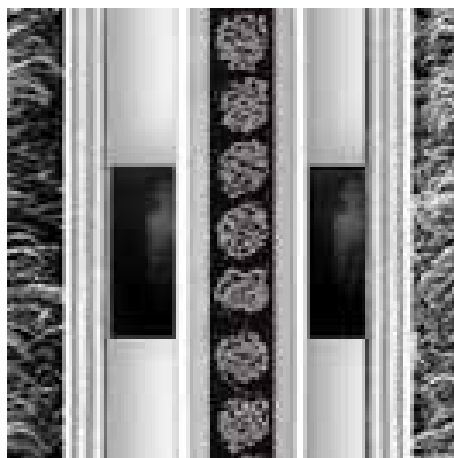
---

## Model 522 GB

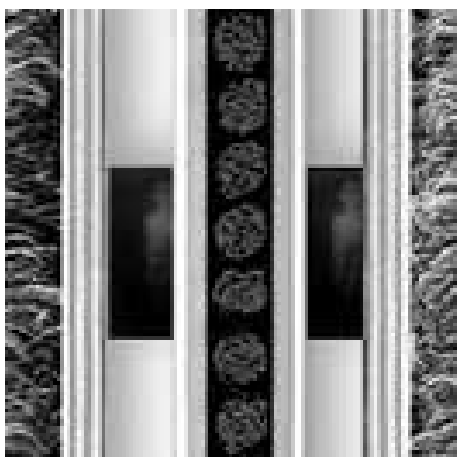
### Colours



black



grey



Black

Subject to technical modifications

emco Bautechnik GmbH · Breslauer Straße 34 - 38 · D-49808 Lingen (Ems)  
· Germany · Phone: +49 (0) 591/9140-500 · Fax: +49 (0) 591/9140-852 · Email:  
bau@emco.de · www.emco-bau.com

