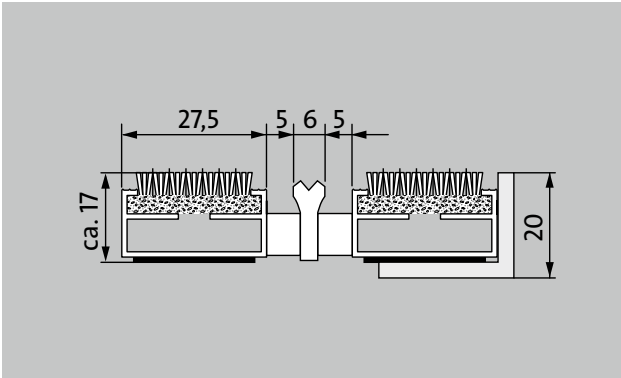


# Model 517 P Maximus K



**1** **2** **3** Indoor and outdoor (covered, Zone 1+2)

The premium entrance mat with the stylish, carpet-look Maximus insert stands out from the crowd with its premium-quality tufted velour and high-end design. Particularly ideal for collecting fine dirt. The additional profile offers even more cleaning power. Optimally designed for buildings exposed to average to heavy footfall.



**Description**

Rollable and hard-wearing premium entrance mat with performance insert for supported installation options. Customisable widths and walking depths available without a compensation profile. Available in any geometric shape.



Indoor and outdoor (covered, Zone 1+2)



Street dust, hair, sand, ash, textile fibres, small leaves and twigs, etc.



Damp street dust, damp sand deposits, dust, etc.



5 years guarantee



class 32 (general commercial use)

## Model 517 P Maximus K

|  |   |
|--|---|
| <b>Approx. height (mm)</b>   | 17  |
| <b>Roll-over and drive-over capability:</b>                              | Prams<br>Sack-/hand truck<br>Wheelchairs  |
| <b>Standard profile clearance approx. (mm)</b>                           | 5 mm, rubber spacers  |
| <b>Automatic door systems</b>  | Profile clearance of 3 mm available as an option for revolving door drives, in accordance with EN 16005   |
| <b>Connection</b>  | Plastic-coated stainless steel cable  |
| <b>Max. width/profile length for individual section (mm):</b>            | 3000  |
| <b>Profile width (mm)</b>  | 27.5  |
| <b>Depth/walking depth for individual section (mm):</b>                  | 3000  |
| <b>Weight (kg/m<sup>2</sup>)</b>   | 10,3  |
| <b>Mat divisions as per factory standards or customer specifications</b> | As of a profile length of 3000 mm or a maximum mat weight of 45 kg  |
| <b>Support chassis</b>   | Made using rigid aluminium with Premium sound absorbing insulation on the underside   |
| <b>Tread surface</b>   | The stylish Maximus insert stands out from the crowd with its premium-quality tufted velour and high-end design. The additional profile increases the cleaning power. |
| <b>Pile material</b>   | 100% PA 6.6 (polyamide)   |
| <b>Use classification EN1307</b>   | class 33 (heavy commercial use)   |

### Accessories

emco installation frame 500: 500-20 AL Aluminium

emco installation frame 500: 500-20 CN Chrome-nickel steel (V2A)

emco ramp edge: A17 Aluminium

emco T-profile: T17

emco cover strip: C17 Chrome-nickel steel (V2A)

emco INOX®: LINEO 17 Chrome-nickel steel (V2A)

emco INOX®: QUADRO 17 Chrome-nickel steel (V2A)

Rubber underlay 1 mm: GU 1

Rubber underlay 3 mm: GU 3

Rubber underlay 5 mm: GU 5

Mat joining brackets: MV Supplied as standard with mats in several parts

### Suitable for:

Residential and care homes  
medical practice  
Offices and administrative buildings  
Family home  
Retail sector  
Hotel  
Kindergarten/Nursery  
Apartment building  
School  
Sports hall

### Insert certified to TÜV PROFiCERT- product interior (Standard)

French VOC regulation  
LEED v4 (outside North America)  
BREEAM Exemplary Level  
Belgian VOC regulation  
AgBB (Committee for Health-related Evaluation of Building Products)  
MVV TB Appendix 8, 9 / ABG

### Service and services

Construction site advice  
Dimensioning  
Measured using laser measuring device on site.  
Installation service  
Fitting and installation service  
Repairs

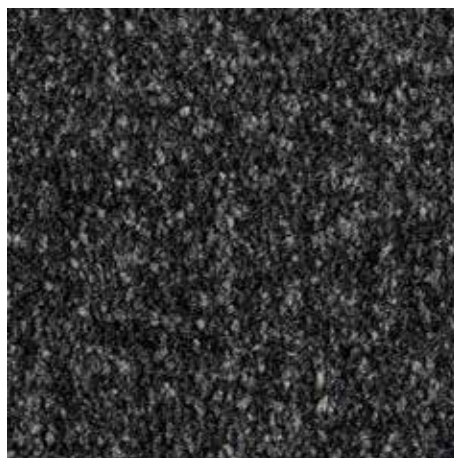
The product can be disposed of or recycled in an environmentally friendly way.

## Model 517 P Maximus K

### Colours



Black 80.01



Black mottled 81.01



Anthracite 80.02



Brown 80.04



Red 80.07

Subject to technical modifications