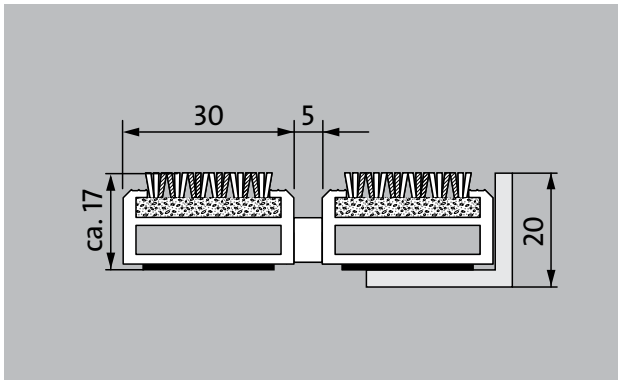
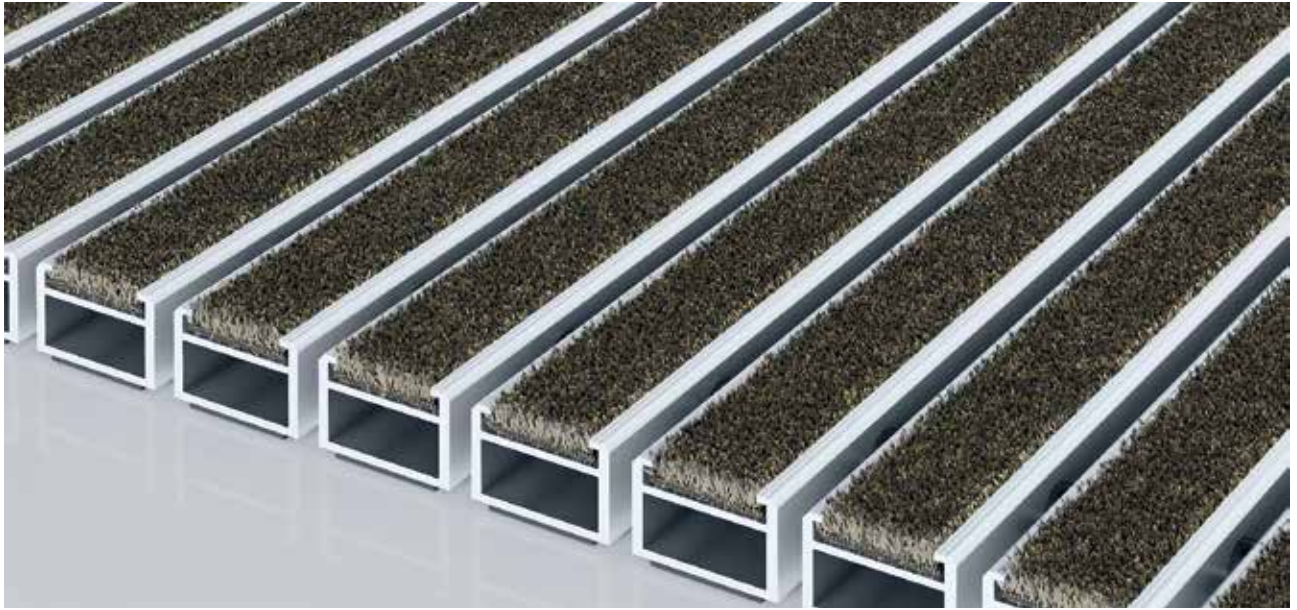




# Model 517 PS Conform



The premium entrance mat with the Conform insert made of recycled materials is the perfect complement to wooden surroundings and can be used in a whole host of environments. Particularly ideal for collecting fine dirt. Optimally designed for buildings exposed to extreme footfall.

- 1 2 3 Indoor and outdoor (covered, Zone 1+2)

**Description**

Roll-up, extremely hard-wearing Premium entrance mat with Performance insert for recess installation. Can be rolled over and even driven over. Customise the width and depth without alignment profile. Available in any geometric shape.



Indoor and outdoor (covered, Zone 1+2)



Street dust, hair, sand, ash, textile fibres, small leaves and twigs, etc.



Damp street dust, damp sand deposits, dust, etc.



R 12 slip resistance as per DIN 51130



5 years guarantee



Cfl-s1



class 32 (general commercial use)

## Model 517 PS Conform

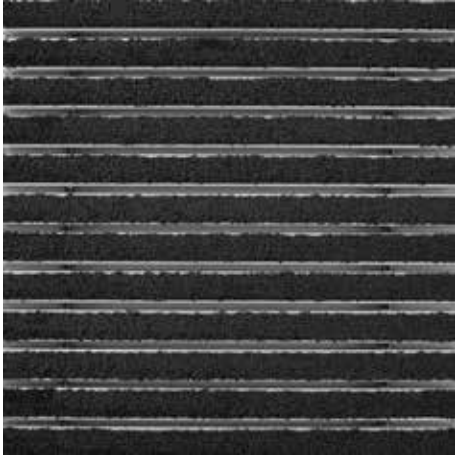
<b>Approx. height (mm)</b>	17	<b>Accessories</b>
<b>Note on height</b>	The insert can actually be approx. 2 mm higher due to the wear layer.	emco installation frame 500: 500-20 AL Aluminium
<b>Roll-over and drive-over capability:</b>	Prams	emco installation frame 500: 500-20 AL NEU Aluminium
	Sack-/hand truck	emco installation frame 500: 500-20 CN Chrome-nickel steel (V2A)
	Wheelchairs	emco ramp edge: A17 Aluminium
	Light shopping trolleys	emco T-profile: T17
	hand trolleys	emco cover strip: C17 Chrome-nickel steel (V2A)
	pallet trucks	emco INOX®: LINEO 17 Chrome-nickel steel (V2A)
	Electric lift truck	emco INOX®: QUADRO 17 Chrome-nickel steel (V2A)
	Cars	emco dirt collection well: 5000 AL Aluminium
<b>Standard profile clearance approx. (mm)</b>	5 mm, rubber spacers	emco dirt collection well: 5000 CN Chrome-nickel steel (V2A)
<b>Automatic door systems</b>	Profile clearance of 3 mm available as an option for revolving door drives, in accordance with EN 16005	emco dirt collection well: 5000 AL+ Aluminium
<b>Connection</b>	Plastic-coated stainless steel cable	emco dirt collection well: 5000 CN+ Chrome-nickel steel (V2A)
<b>Max. width/profile length for individual section (mm):</b>	3000	emco dirt collection well: 5512AL Aluminium
<b>Profile width (mm)</b>	30	emco dirt collection well: 5512CN Chrome-nickel steel (V2A)
<b>Depth/walking depth for individual section (mm):</b>	3000	emco dirt collection well: 5517AL Aluminium
<b>Weight (kg/m<sup>2</sup>)</b>	14,8	emco dirt collection well: 5517CN Chrome-nickel steel (V2A)
<b>Mat divisions as per factory standards or customer specifications</b>	As of a profile length of 3000 mm or a maximum mat weight of 45 kg	emco dirt collection well: 5522AL Aluminium
<b>Support chassis</b>	Reinforced support chassis made using rigid aluminium with Premium sound absorbing insulation on the underside	emco dirt collection well: 5522CN Chrome-nickel steel (V2A)
		emco dirt collection well: 5017 AL Aluminium
<b>Tread surface</b>	The Conform insert made of recycled materials is the perfect complement to wooden surroundings and can be used in a whole host of environments.	emco dirt collection well: 5017 CN Chrome-nickel steel (V2A)
		emco special frame with substructure: A Version A: with installation frame, rectangular tube profiles, grid support and height adjustment.
		emco special frame with substructure: B Version B: with installation frame, grid support and rectangular tube profiles
<b>Slip resistance</b>	R 12 slip resistance as per DIN 51130	emco special frame with substructure: C Type C: with installation frame and rectangular tube profiles
<b>Flammability</b>	Fire classification for the complete mat system Cf1-s1 in accordance with EN 13501	Rubber underlay 1 mm: GU 1
<b>Pile material</b>	100% PA 6 (polyamide)	Rubber underlay 3 mm: GU 3
<b>Use classification EN1307</b>	class 33 (heavy commercial use)	Rubber underlay 5 mm: GU 5
<b>Bacterial reduction EHEC ASTM-e2149</b>	16,1 %	Mat joining brackets: MV Supplied as standard with mats in several parts
<b>Bacterial reduction staphylococcus aureus ASTM-e2149</b>	0,0 %	
<b>Bacterial reduction klebsiella pneumoniae ASTM-e2149</b>	65,6 %	

## Model 517 PS Conform

<b>Suitable for:</b>	Sports hall
Residential and care homes	Supermarket
Arena	
medical practice	<b>Insert certified to TÜV PROFICERT- product interior (Standard)</b>
Train station	French VOC regulation
DIY store	LEED v4 (outside North America)
Offices and administrative buildings	BREEAM Exemplary Level
Family home	Belgian VOC regulation
Shopping centre	AgBB (Committee for Health-related Evaluation of Building Products)
Retail sector	MVV TB Appendix 8, 9 / ABG
University / Higher education institution	
airport	<b>Service and services</b>
Hotel	Construction site advice
Industry	Dimensioning
Kindergarten/Nursery	Measured using laser measuring device on site.
Clinic/Hospital	Installation service
Warehouse	Fitting and installation service
Apartment building	Repairs
Trade fair	The product can be disposed of or recycled in an environmentally friendly way.
School	

## Model 517 PS Conform

### Colours



Anthracite 76.01



Beige 76.02



Brown 76.04

Subject to technical modifications

emco Bautechnik GmbH · Breslauer Straße 34 - 38 · D-49808 Lingen (Ems)  
· Germany · Phone: +49 (0) 591/9140-500 · Fax: +49 (0) 591/9140-852 · Email:  
bau@emco.de · www.emco-bau.com

