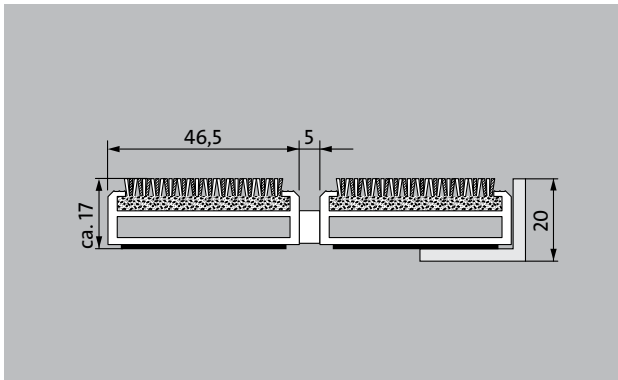
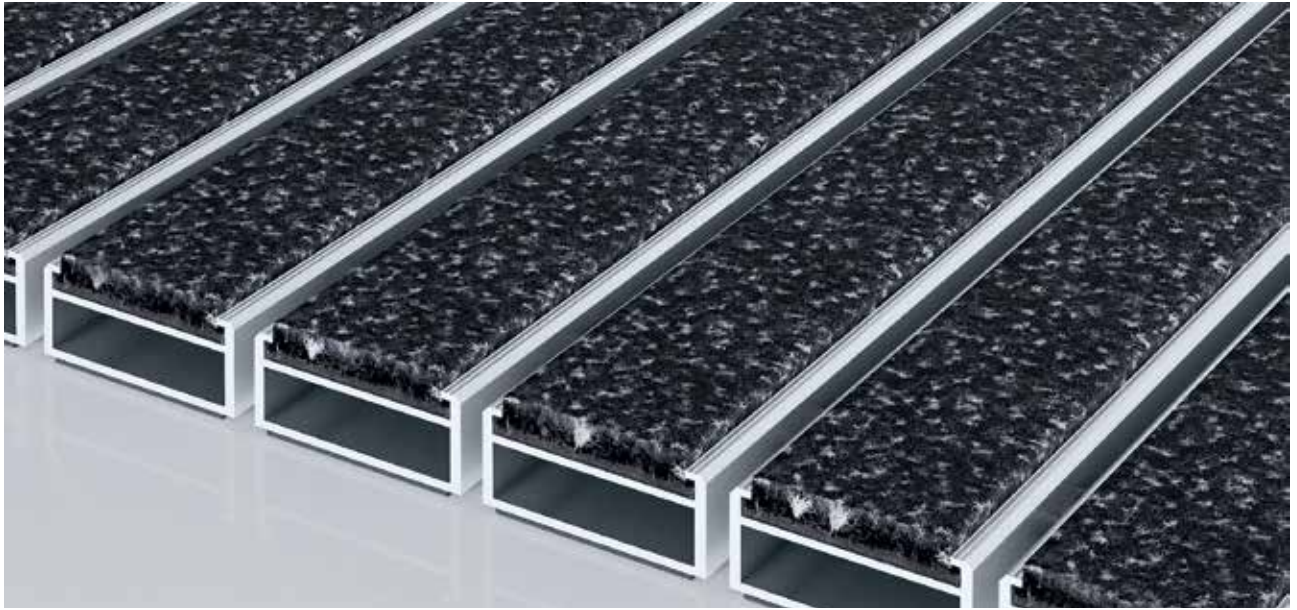


Model 517 PSL Innova



The extra-wide premium entrance mat with the exceptionally flexible Innova insert not only creates a sophisticated impression but also improves room acoustics. Particularly ideal for collecting fine dirt. Optimally designed for buildings exposed to extreme footfall.

- 1
2
3
 Indoor and outdoor
(covered, Zone 1+2)

Description

Roll-up, extremely hard-wearing Premium entrance mat with extra-wide profiles and Performance insert for recess installation. Can be rolled over and even driven over. Customise the width and depth without alignment profile. Available in any geometric shape.



Indoor and outdoor (covered, Zone 1+2)



Street dust, hair, sand, ash, textile fibres, small leaves and twigs, etc.



Damp street dust, damp sand deposits, dust, etc.



R 12 slip resistance as per DIN 51130



5 years guarantee



Cfl-s1



class 31 (moderate commercial use)

emco MARSCHALL Premium Large With Innova insert

Model 517 PSL Innova

Approx. height (mm)	17	Accessories
Roll-over and drive-over capability:	Prams	emco installation frame 500: 500-20 AL Aluminium
	Sack-/hand truck	emco installation frame 500: 500-20 AL NEU Aluminium
	Wheelchairs	emco installation frame 500: 500-20 CN Chrome-nickel steel (V2A)
	Light shopping trolleys	emco ramp edge: A17 Aluminium
	hand trolleys	emco T-profile: T17
	pallet trucks	emco cover strip: C17 Chrome-nickel steel (V2A)
	Electric lift truck	emco INOX®: LINEO 17 Chrome-nickel steel (V2A)
	Cars	emco INOX®: QUADRO 17 Chrome-nickel steel (V2A)
Standard profile clearance approx. (mm)	5 mm, rubber spacers	emco dirt collection well: 5000 AL Aluminium
Automatic door systems	Profile clearance of 3 mm available as an option for revolving door drives, in accordance with EN 16005	emco dirt collection well: 5000 CN Chrome-nickel steel (V2A)
		emco dirt collection well: 5000 AL+ Aluminium
Connection	Plastic-coated stainless steel cable	emco dirt collection well: 5000 CN+ Chrome-nickel steel (V2A)
Max. width/profile length for individual section (mm):	3000	emco dirt collection well: 5512AL Aluminium
Profile width (mm)	46.5	emco dirt collection well: 5512CN Chrome-nickel steel (V2A)
Depth/walking depth for individual section (mm):	800	emco dirt collection well: 5517AL Aluminium
		emco dirt collection well: 5517CN Chrome-nickel steel (V2A)
Weight (kg/m²)	12,9	emco dirt collection well: 5522AL Aluminium
Mat divisions as per factory standards or customer specifications	As of a profile length of 3000 mm or a maximum mat weight of 45 kg	emco dirt collection well: 5522CN Chrome-nickel steel (V2A)
		emco dirt collection well: 5017 AL Aluminium
Support chassis	Reinforced support chassis made using rigid aluminium with Premium sound absorbing insulation on the underside	emco dirt collection well: 5017 CN Chrome-nickel steel (V2A)
		emco special frame with substructure: A Version A: with installation frame, rectangular tube profiles, grid support and height adjustment.
		emco special frame with substructure: B Version B: with installation frame, grid support and rectangular tube profiles
Tread surface	The exceptionally flexible Innova insert not only creates a sophisticated impression but also improves room acoustics.	emco special frame with substructure: C Type C: with installation frame and rectangular tube profiles
		Rubber underlay 1 mm: GU 1
		Rubber underlay 3 mm: GU 3
Slip resistance	R 12 slip resistance as per DIN 51130	Rubber underlay 5 mm: GU 5
Flammability	Fire classification for the complete mat system Cfl-s1 in accordance with EN 13501	Mat joining brackets: MV Supplied as standard with mats in several parts
Pile material	100% PA 6 (polyamide)	
Use classification EN1307	class 33 (heavy commercial use)	
Colour fastness to artificial light ISO 105-B02	good 5-6	
Colour fastness to rubbing ISO 105 X12	good 4-5	
Colour fastness to water ISO 105 E01	good 4-5	
Bacterial reduction EHEC ASTM-e2149	8,4 %	
Bacterial reduction staphylococcus aureus ASTM-e2149	51,7 %	
Bacterial reduction klebsiella pneumoniae ASTM-e2149	83,6 %	

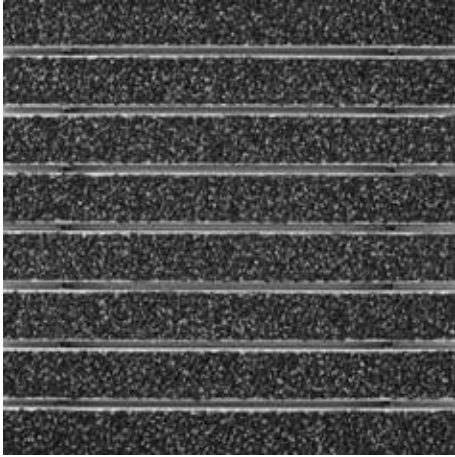
emco MARSCHALL Premium Large With Innova insert

Model 517 PSL Innova

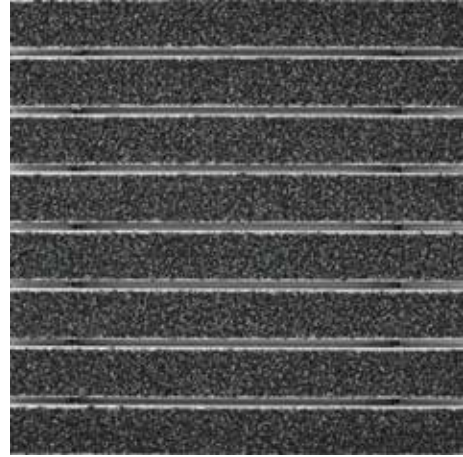
Suitable for:	Sports hall
Residential and care homes	Supermarket
Arena	
medical practice	Insert certified to TÜV PROFICERT- product interior (Standard)
Train station	French VOC regulation
DIY store	LEED v4 (outside North America)
Offices and administrative buildings	BREEAM Exemplary Level
Family home	Belgian VOC regulation
Shopping centre	AgBB (Committee for Health-related Evaluation of Building Products)
Retail sector	MVV TB Appendix 8, 9 / ABG
University / Higher education institution	
airport	Service and services
Hotel	Construction site advice
Industry	Dimensioning
Kindergarten/Nursery	Measured using laser measuring device on site.
Clinic/Hospital	Installation service
Warehouse	Fitting and installation service
Apartment building	Repairs
Trade fair	The product can be disposed of or recycled in an environmentally friendly way.
School	

Model 517 PSL Innova

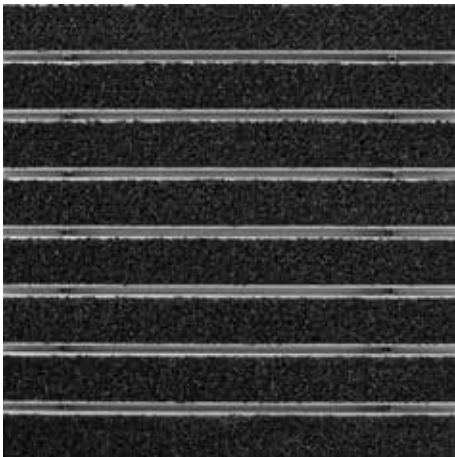
Colours



36.02 anthracite



36.03 grey



36.01 black

Subject to technical modifications

emco Bautechnik GmbH · Breslauer Straße 34 - 38 · D-49808 Lingen (Ems)
· Germany · Phone: +49 (0) 591/9140-500 · Fax: +49 (0) 591/9140-852 · Email:
bau@emco.de · www.emco-bau.com

