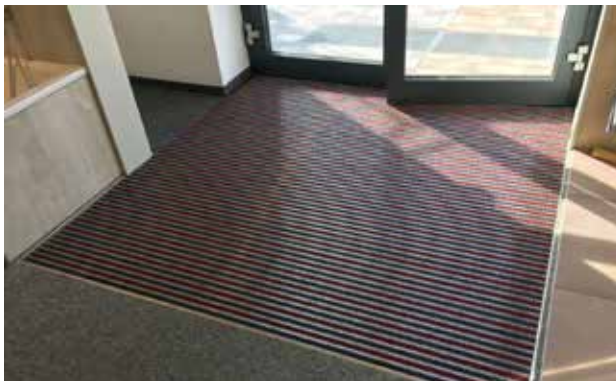
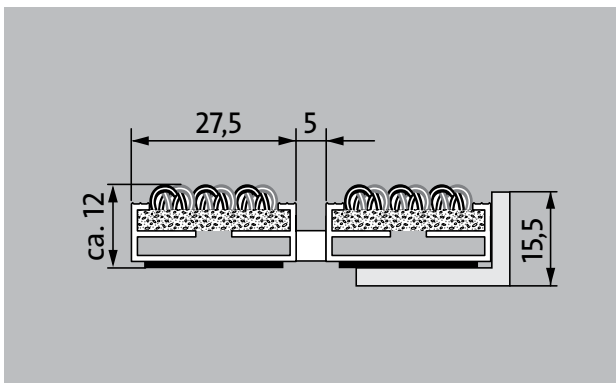


## Model 512 P Outdoor



The weather-resistant premium entrance mat with the Outdoor insert for noticeably thorough removal of coarse dirt. Optimally designed for buildings exposed to average to heavy footfall.

**1** **2** **3** Outside (Zone 1)

### Description

Rollable and hard-wearing premium entrance mat with performance insert for supported installation options. Customisable widths and walking depths available without a compensation profile. Available in any geometric shape.



Outside (Zone 1)



Street dust, hair, sand, ash, textile fibres, small leaves and twigs, loose chippings, coarse sand, small gravel particles



R 11 slip resistance as per DIN 51130



5 years guarantee



Cfl-s1



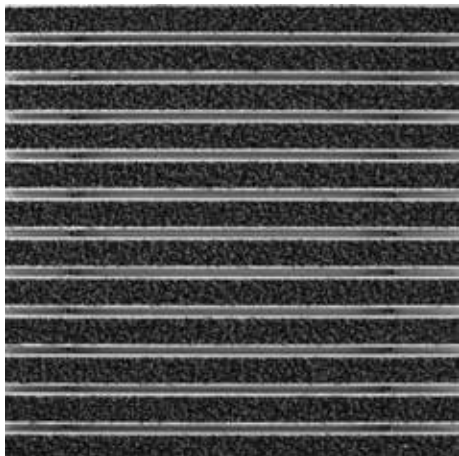
class 33 (heavy commercial use)

## Model 512 P Outdoor

<b>Approx. height (mm)</b>	12	<b>Bacterial reduction staphylococcus aureus ASTM-e2149</b>	9,8 %
<b>Roll-over and drive-over capability:</b>	Prams	<b>Bacterial reduction klebsiella pneumoniae ASTM-e2149</b>	17,3 %
	Sack-/hand truck		
	Wheelchairs		
<b>Standard profile clearance approx. (mm)</b>	5 mm, rubber spacers	<b>Accessories</b>	
<b>Automatic door systems</b>	Profile clearance of 3 mm available as an option for revolving door drives, in accordance with EN 16005	emco installation frame 500: 500-15 AL Aluminium	
<b>Connection</b>	Plastic-coated stainless steel cable	emco installation frame 500: 500-15 CN Chrome-nickel steel (V2A)	
<b>Max. width/profile length for individual section (mm):</b>	3000	emco ramp edge: A12 Aluminium	
<b>Profile width (mm)</b>	27.5	emco cover strip: C12 Chrome-nickel steel (V2A)	
<b>Depth/walking depth for individual section (mm):</b>	1500	emco INOX®: LINEO 12 Chrome-nickel steel (V2A)	
<b>Weight (kg/m<sup>2</sup>)</b>	8.3	Rubber underlay 1 mm: GU 1	
<b>Mat divisions as per factory standards or customer specifications</b>	from a profile length of 3000 mm or a maximum mat weight of 25 kg	Rubber underlay 3 mm: GU 3	
<b>Support chassis</b>	Made using rigid aluminium with Premium sound absorbing insulation on the underside	Rubber underlay 5 mm: GU 5	
<b>Tread surface</b>	The weather-resistant Outdoor insert for noticeably thorough removal of coarse dirt.	Mat joining brackets: MV Supplied as standard with mats in several parts	
<b>Slip resistance</b>	R 11 slip resistance as per DIN 51130	<b>Suitable for:</b>	
<b>Flammability</b>	Fire classification for the complete mat system Cfl-s1 in accordance with EN 13501	Residential and care homes	
<b>Pile material</b>	100% PA 6 (polyamide)	medical practice	
<b>Use classification EN1307</b>	class 33 (heavy commercial use)	Family home	
<b>Colour fastness to artificial light ISO 105-B02</b>	excellent 7	Apartment building	
<b>Colour fastness to rubbing ISO 105 X12</b>	good 4-5	Sports hall	
<b>Colour fastness to water ISO 105 E01</b>	good 4-5	<b>Service and services</b>	
<b>Bacterial reduction EHEC ASTM-e2149</b>	22,4 %	Construction site advice	
		Dimensioning	
		Measured using laser measuring device on site.	
		Installation service	
		Fitting and installation service	
		Repairs	
		The product can be disposed of or recycled in an environmentally friendly way.	

## Model 512 P Outdoor

### Colours



Anthracite



Brown



Red

Subject to technical modifications

emco Bautechnik GmbH · Breslauer Straße 34 - 38 · D-49808 Lingen (Ems)  
· Germany · Phone: +49 (0) 591/9140-500 · Fax: +49 (0) 591/9140-852 · Email:  
bau@emco.de · www.emco-bau.com

