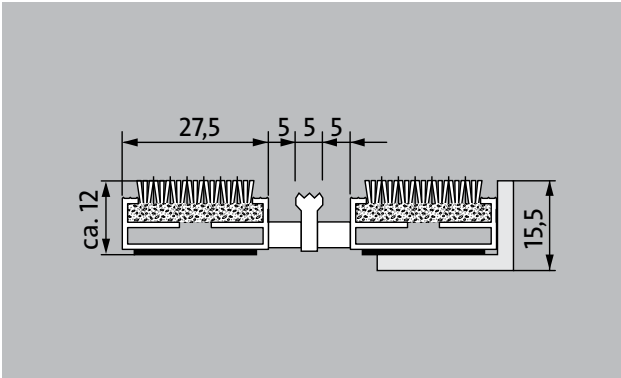


Model 512 P Maximus K



The premium entrance mat with the stylish, carpet-look Maximus insert stands out from the crowd with its premium-quality tufted velour and high-end design. Particularly ideal for collecting fine dirt. The additional profile offers even more cleaning power. Optimally designed for buildings exposed to average to heavy footfall.

- 1
- 2
- 3 Indoor and outdoor (covered, Zone 1+2)

Description

Rollable and hard-wearing premium entrance mat with performance insert for supported installation options. Customisable widths and walking depths available without a compensation profile. Available in any geometric shape.

				
Indoor and outdoor (covered, Zone 1+2)	Street dust, hair, sand, ash, textile fibres, small leaves and twigs, etc.	Damp street dust, damp sand deposits, dust, etc.	5 years guarantee	class 32 (general commercial use)

emco DIPLOMAT Premium With Maximus insert and scraping edge

Model 512 P Maximus K

Approx. height (mm)	12	Accessories
Roll-over and drive-over capability:	Prams Sack-/hand truck Wheelchairs	emco installation frame 500: 500-15 AL Aluminium emco installation frame 500: 500-15 CN Chrome-nickel steel (V2A) emco ramp edge: A12 Aluminium emco cover strip: C12 Chrome-nickel steel (V2A) emco INOX®: LINEO 12 Chrome-nickel steel (V2A)
Standard profile clearance approx. (mm)	5 mm, rubber spacers	Rubber underlay 1 mm: GU 1 Rubber underlay 3 mm: GU 3 Rubber underlay 5 mm: GU 5 Mat joining brackets: MV Supplied as standard with mats in several parts
Automatic door systems	Profile clearance of 3 mm available as an option for revolving door drives, in accordance with EN 16005	
Connection	Plastic-coated stainless steel cable	
Max. width/profile length for individual section (mm):	3000	
Profile width (mm)	27.5	Suitable for:
Depth/walking depth for individual section (mm):	1500	Residential and care homes medical practice Family home Apartment building Sports hall
Weight (kg/m²)	9.0	
Mat divisions as per factory standards or customer specifications	from a profile length of 3000 mm or a maximum mat weight of 25 kg	
Support chassis	Made using rigid aluminium with Premium sound absorbing insulation on the underside	Insert certified to TÜV PROFiCERT- product interior (Standard)
Tread surface	The stylish Maximus insert stands out from the crowd with its premium-quality tufted velour and high-end design. The additional profile increases the cleaning power.	French VOC regulation LEED v4 (outside North America) BREEAM Exemplary Level Belgian VOC regulation AgBB (Committee for Health-related Evaluation of Building Products) MVV TB Appendix 8, 9 / ABG
Pile material	100% PA 6.6 (polyamide)	
Use classification EN1307	class 33 (heavy commercial use)	Service and services
		Construction site advice Dimensioning Measured using laser measuring device on site. Installation service Fitting and installation service Repairs The product can be disposed of or recycled in an environmentally friendly way.

Model 512 P Maximus K

Colours



Black 80.01



Black mottled 81.01



Anthracite 80.02



Brown 80.04



Red 80.07

Subject to technical modifications

emco Bautechnik GmbH · Breslauer Straße 34 - 38 · D-49808 Lingen (Ems)
· Germany · Phone: +49 (0) 591/9140-500 · Fax: +49 (0) 591/9140-852 · Email:
bau@emco.de · www.emco-bau.com