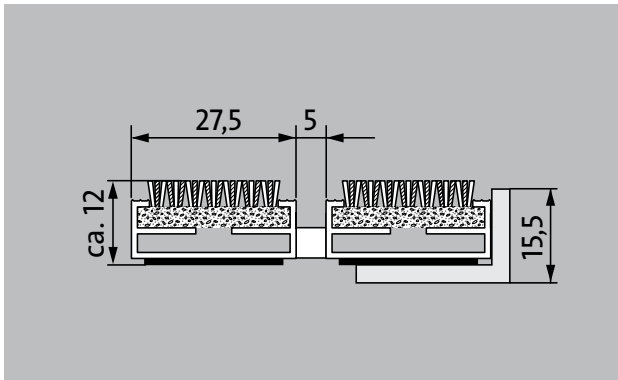


## Model 512 P Innova



The premium entrance mat with the exceptionally flexible Innova insert not only creates a sophisticated impression but also improves room acoustics. Particularly ideal for collecting fine dirt. Optimally designed for buildings exposed to average to heavy footfall.

**1** **2** **3** Indoor and outdoor (covered, Zone 1+2)

### Description

Rollable and hard-wearing premium entrance mat with performance insert for supported installation options. Customisable widths and walking depths available without a compensation profile. Available in any geometric shape.



Indoor and outdoor (covered, Zone 1+2)



Street dust, hair, sand, ash, textile fibres, small leaves and twigs, etc.



Damp street dust, damp sand deposits, dust, etc.



R12 slip resistance as per DIN 51130



5 years guarantee



Cfl-s1



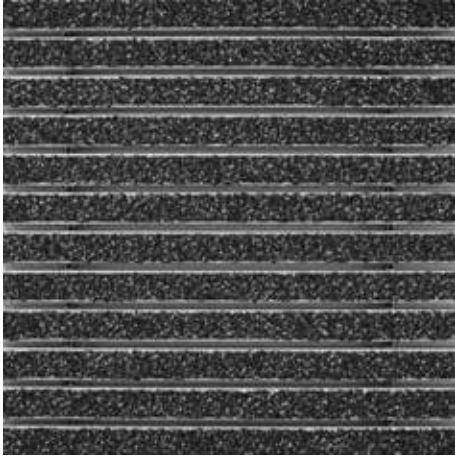
class 31 (moderate commercial use)

## Model 512 P Innova

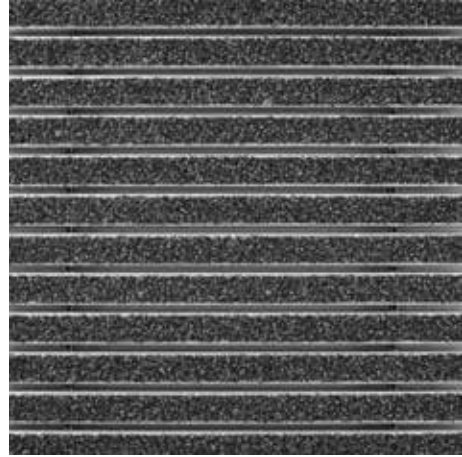
<b>Approx. height (mm)</b>	12	<b>Accessories</b>	emco installation frame 500: 500-15 AL Aluminium
<b>Roll-over and drive-over capability:</b>	Prams	emco installation frame 500: 500-15 CN Chrome-nickel steel (V2A)	emco ramp edge: A12 Aluminium
	Sack-/hand truck	emco cover strip: C12 Chrome-nickel steel (V2A)	emco INOX®: LINEO 12 Chrome-nickel steel (V2A)
	Wheelchairs	Rubber underlay 1 mm: GU 1	Rubber underlay 3 mm: GU 3
<b>Standard profile clearance approx. (mm)</b>	5 mm, rubber spacers	Rubber underlay 5 mm: GU 5	Mat joining brackets: MV Supplied as standard with mats in several parts
<b>Automatic door systems</b>	Profile clearance of 3 mm available as an option for revolving door drives, in accordance with EN 16005		
<b>Connection</b>	Plastic-coated stainless steel cable		
<b>Max. width/profile length for individual section (mm):</b>	3000	<b>Suitable for:</b>	Residential and care homes
<b>Profile width (mm)</b>	27.5		medical practice
<b>Depth/walking depth for individual section (mm):</b>	1500		Family home
<b>Weight (kg/m<sup>2</sup>)</b>	8.6		Apartment building
<b>Mat divisions as per factory standards or customer specifications</b>	from a profile length of 3000 mm or a maximum mat weight of 25 kg		Sports hall
<b>Support chassis</b>	Made using rigid aluminium with Premium sound absorbing insulation on the underside	<b>Insert certified to TÜV PROFiCERT- product interior (Standard)</b>	French VOC regulation
<b>Tread surface</b>	The exceptionally flexible Innova insert not only creates a sophisticated impression but also improves room acoustics.		LEED v4 (outside North America)
<b>Slip resistance</b>	R 12 slip resistance as per DIN 51130		BREEAM Exemplary Level
<b>Flammability</b>	Fire classification for the complete mat system Cfl-s1 in accordance with EN 13501		Belgian VOC regulation
<b>Pile material</b>	100% PA 6 (polyamide)		AgBB (Committee for Health-related Evaluation of Building Products)
<b>Use classification EN1307</b>	class 33 (heavy commercial use)		MVV TB Appendix 8, 9 / ABG
<b>Colour fastness to artificial light ISO 105-B02</b>	good 5-6	<b>Service and services</b>	Construction site advice
<b>Colour fastness to rubbing ISO 105 X12</b>	good 4-5		Dimensioning
<b>Colour fastness to water ISO 105 E01</b>	good 4-5		Measured using laser measuring device on site.
<b>Bacterial reduction EHEC ASTM-e2149</b>	8,4 %		Installation service
<b>Bacterial reduction staphylococcus aureus ASTM-e2149</b>	51,7 %		Fitting and installation service
<b>Bacterial reduction klebsiella pneumoniae ASTM-e2149</b>	83,6 %		Repairs
			The product can be disposed of or recycled in an environmentally friendly way.

## Model 512 P Innova

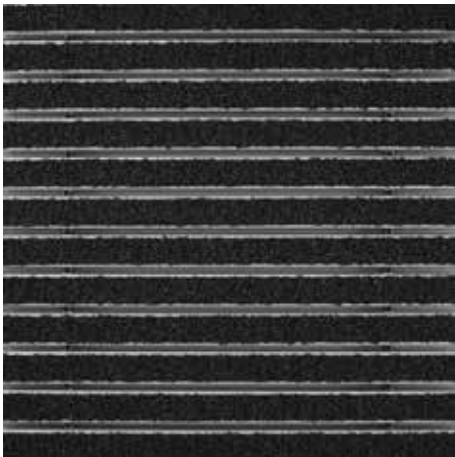
### Colours



36.02 anthracite



36.03 grey



36.01 black

Subject to technical modifications

emco Bautechnik GmbH · Breslauer Straße 34 - 38 · D-49808 Lingen (Ems)  
· Germany · Phone: +49 (0) 591/9140-500 · Fax: +49 (0) 591/9140-852 · Email:  
bau@emco.de · www.emco-bau.com

