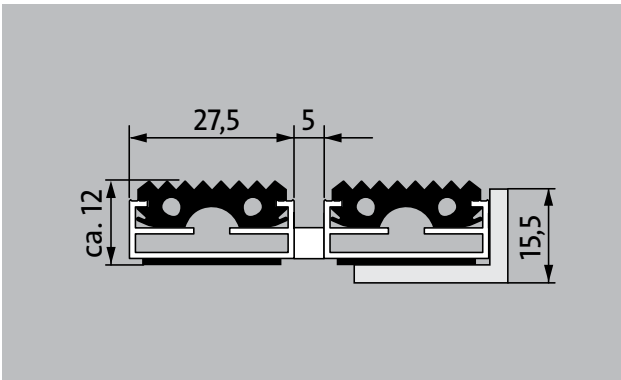


Model 512 G



The original entrance mat with the profiled rubber insert for noticeably thorough removal of coarse dirt. Optimally designed for buildings exposed to average to heavy footfall.

1 **2** **3** Outside (Zone 1)

Description

Rollable and hard-wearing original entrance mat with standard insert for supported installation options. Customisable widths and walking depths available without a compensation profile. Available in any geometric shape.



Outside (Zone 1)	Street dust, hair, sand, ash, textile fibres, small leaves and twigs, loose chippings, coarse sand, small gravel particles	R 9 slip resistance as per DIN 51130	4 year warranty



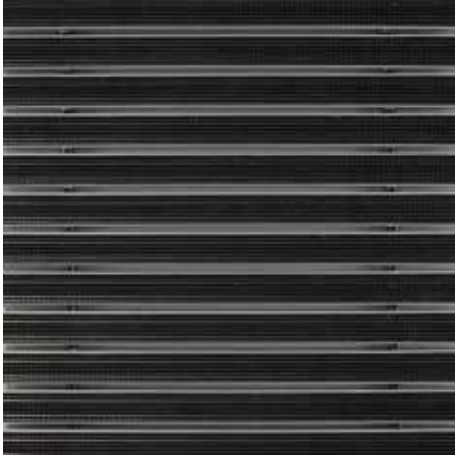
emco DIPLOMAT Original With rubber insert

Model 512 G

Approx. height (mm)	12	Accessories
Roll-over and drive-over capability:	Prams	emco installation frame 500: 500-15 AL Aluminium
	Sack-/hand truck	emco installation frame 500: 500-15 CN Chrome-nickel steel (V2A)
	Wheelchairs	emco ramp edge: A12 Aluminium
Standard profile clearance approx. (mm)	5 mm, rubber spacers	emco cover strip: C12 Chrome-nickel steel (V2A)
Automatic door systems	Profile clearance of 3 mm available as an option for revolving door drives, in accordance with EN 16005	emco INOX®: LINEO 12 Chrome-nickel steel (V2A)
		Rubber underlay 1 mm: GU 1
Connection	Plastic-coated stainless steel cable	Rubber underlay 3 mm: GU 3
Max. width/profile length for individual section (mm):	3000	Rubber underlay 5 mm: GU 5
		Mat joining brackets: MV Supplied as standard with mats in several parts
Profile width (mm)	27.5	Suitable for:
Depth/walking depth for individual section (mm):	1500	Residential and care homes
Weight (kg/m²)	12,3	medical practice
Mat divisions as per factory standards or customer specifications	from a profile length of 3000 mm or a maximum mat weight of 25 kg	Family home
		Apartment building
Support chassis	Made using rigid aluminium with sound absorbing insulation on the underside	Sports hall
Tread surface	Recessed, robust, weather-proof profiled rubber inserts.	Service and services
Slip resistance	R 9 slip resistance as per DIN 51130	Construction site advice
Flammability	Complete mat system available on request (surcharge applicable) with fire classification Cf1-s1 according to EN 13501.	Dimensioning
		Measured using laser measuring device on site.
		Installation service
		Fitting and installation service
		Repairs
		The product can be disposed of or recycled in an environmentally friendly way.

Model 512 G

Colours



Rubber

Subject to technical modifications

emco Bautechnik GmbH · Breslauer Straße 34 - 38 · D-49808 Lingen (Ems)
· Germany · Phone: +49 (0) 591/9140-500 · Fax: +49 (0) 591/9140-852 · Email:
bau@emco.de · www.emco-bau.com