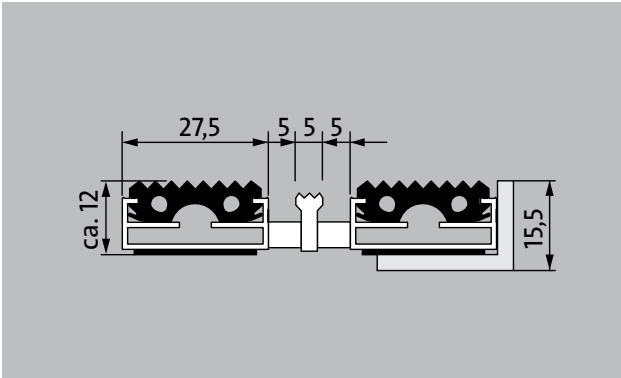
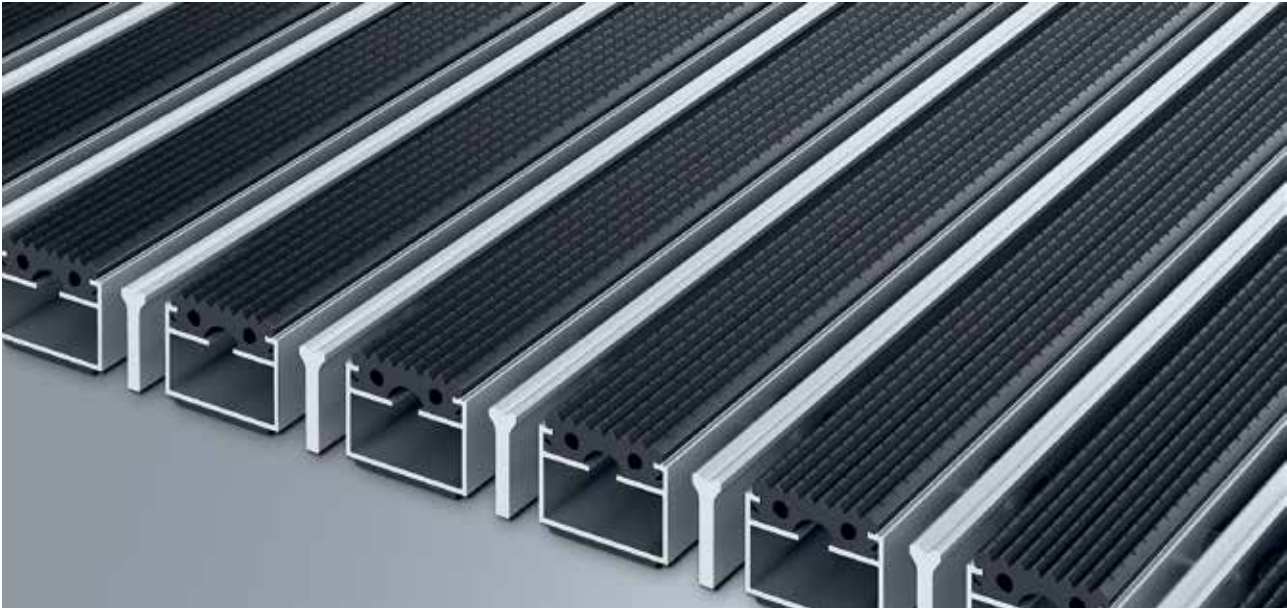


# Model 512 GK



The original entrance mat with the profiled rubber insert for noticeably thorough removal of coarse dirt. The additional profile offers even more cleaning power. Optimally designed for buildings exposed to average to heavy footfall.

**1** **2** **3** Outside (Zone 1)

**Description**

Rollable and hard-wearing original entrance mat with standard insert for supported installation options. Customisable widths and walking depths available without a compensation profile. Available in any geometric shape.



Outside (Zone 1)



Street dust, hair, sand, ash, textile fibres, small leaves and twigs, loose chippings, coarse sand, small gravel particles



4 year warranty



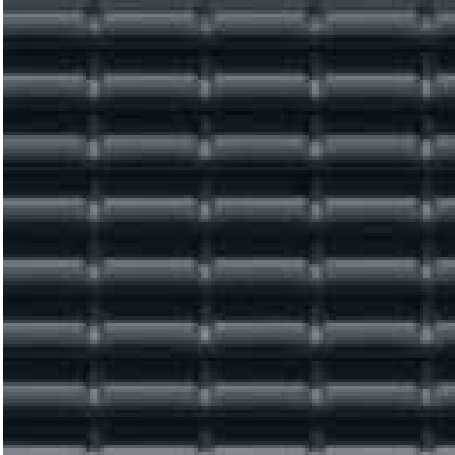
# emco DIPLOMAT Original With rubber insert and scraper bar

## Model 512 GK

|  |  |  |
|--|--|--|
| <b>Approx. height (mm)</b>   | 12   | <b>Accessories</b>   |
| <b>Roll-over and drive-over capability:</b>                              | Prams  | emco installation frame 500: 500-15 AL Aluminium                               |
|  | Sack-/hand truck   | emco installation frame 500: 500-15 CN Chrome-nickel steel (V2A)               |
|  | Wheelchairs  | emco ramp edge: A12 Aluminium  |
| <b>Standard profile clearance approx. (mm)</b>                           | 5 mm, rubber spacers   | emco cover strip: C12 Chrome-nickel steel (V2A)                                |
| <b>Automatic door systems</b>  | Profile clearance of 3 mm available as an option for revolving door drives, in accordance with EN 16005                | emco INOX®: LINEO 12 Chrome-nickel steel (V2A)                                 |
| <b>Connection</b>  | Plastic-coated stainless steel cable   | Rubber underlay 1 mm: GU 1   |
| <b>Max. width/profile length for individual section (mm):</b>            | 3000   | Rubber underlay 3 mm: GU 3   |
| <b>Profile width (mm)</b>  | 27.5   | Rubber underlay 5 mm: GU 5   |
| <b>Depth/walking depth for individual section (mm):</b>                  | 1500   | Mat joining brackets: MV Supplied as standard with mats in several parts       |
| <b>Weight (kg/m<sup>2</sup>)</b>   | 11,8   | <b>Suitable for:</b>   |
| <b>Mat divisions as per factory standards or customer specifications</b> | from a profile length of 3000 mm or a maximum mat weight of 25 kg  | Residential and care homes   |
| <b>Support chassis</b>   | Made using rigid aluminium with sound absorbing insulation on the underside  | medical practice   |
| <b>Tread surface</b>   | Recessed, robust, weather-proof profiled rubber inserts.   | Family home  |
| <b>Flammability</b>  | Complete mat system available on request (surcharge applicable) with fire classification Cfl-s1 according to EN 13501. | Apartment building   |
|  |  | Sports hall  |
|  |  | <b>Service and services</b>  |
|  |  | Construction site advice   |
|  |  | Dimensioning   |
|  |  | Measured using laser measuring device on site.                                 |
|  |  | Installation service   |
|  |  | Fitting and installation service   |
|  |  | Repairs  |
|  |  | The product can be disposed of or recycled in an environmentally friendly way. |

## Model 512 GK

### Colours



black

Subject to technical modifications

emco Bautechnik GmbH · Breslauer Straße 34 - 38 · D-49808 Lingen (Ems)  
· Germany · Phone: +49 (0) 591/9140-500 · Fax: +49 (0) 591/9140-852 · Email:  
bau@emco.de · www.emco-bau.com

