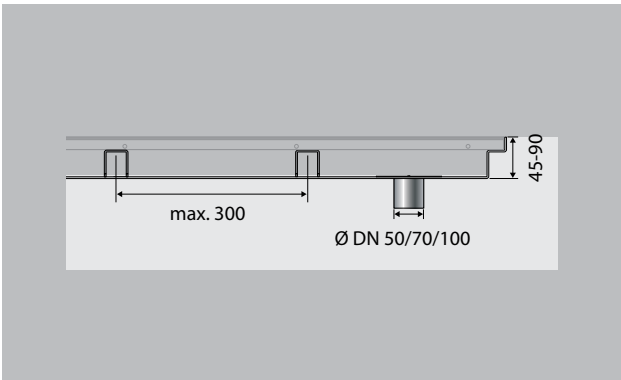
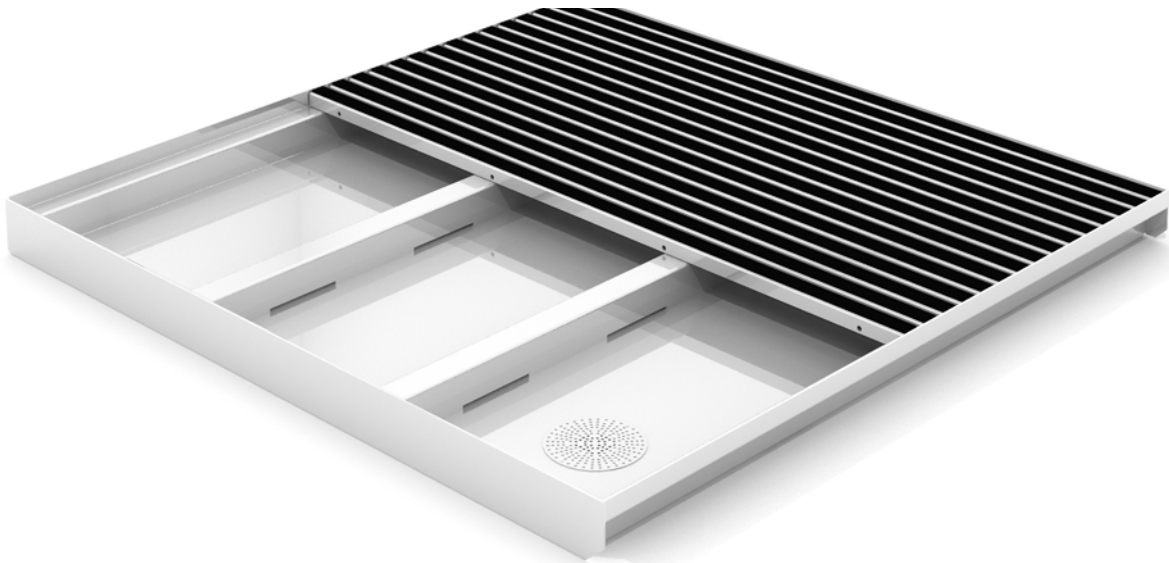


# emco dirt collection well

## Model 5022 AL



emco dirt collection wells are required to counter the increased dirt levels in heavily frequented entrance areas. Together with the emco MARSCHALL entrance mats (not when combined with a scraper bar or brush strip), they form an unbeatable unit in terms of effective cleansing and practicality.

### Description

Dirt collection wells developed for emco MARSCHALL entrance mats for increased dirt uptake.



Outside (Zone 1)



Indoor and outdoor (covered, Zone 1+2)



Street dust, hair, sand, ash, textile fibres, small leaves and twigs, loose chippings, coarse sand, small gravel particles



Damp street dust, damp sand deposits, dust, etc.



## Model 5022 AL

<b>Weight (kg/m<sup>2</sup>)</b>	12,2
<b>Suitable for</b>	MARSCHALL 22 Also available in large variants.
<b>Approx. material thickness (mm)</b>	3,0
<b>Structure</b>	A dirt collection well unit can consist of either a single well or multiple wells which may vary in width and depth, assembled in a modular fashion. From a visual and functional perspective, the entrance mat is manufactured either in the same size without a frame, or - more commonly - with a frame.
<b>Special shapes</b>	Dirt collection wells are also available in special shapes (such as rounded shapes) to ensure they are the perfect match for the building in question. Please contact us for further information.
<b>Material</b>	Aluminium, bonded and waterproof, interior completely smooth for easy cleaning. Also available in stainless steel (V2A) on request.
<b>Support profile</b>	Aluminium, stainless steel (V2A), max. spacing 300 mm with recesses for all-around water drainage. These profiles must run laterally at an angle of 90° beneath the profiles.

<b>Additional data</b>	The support for the entrance mat is integrated in the well.
<b>Larger dimensions</b>	Multiple well units are screwed together on site to make a single system.
<b>Fittings</b>	Available on request with drainage system and water drainage connection for multiple well units. We recommend one drainage system per well unit for multiple well units.
<b>Drainage system</b>	Complete drainage system in sizes DN 50, DN 70 or DN 100, including stainless steel strainer. Standard size for the drainage system is DN 50.
<b>Well overall height</b>	Standard: 70 mm Optional single-piece well: 45 90 mm Optional multi-piece wells: 45 90 mm Note: It is not possible to have a water drainage connection on multiple wells with a well height of less than 65 mm.
<b>Max. well width, one piece (mm)</b>	2800
<b>Max. well depth, one piece (mm)</b>	1300

Subject to technical modifications