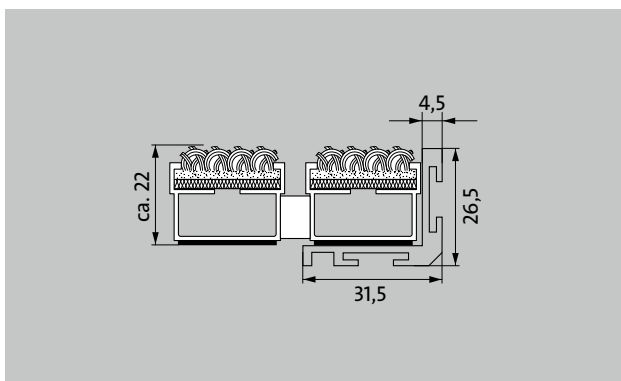


Model 500/N 600x400



Description

Frame ready assembled model 500/N aluminium, without wall anchor



Indoor and outdoor (covered, Zone 1+2)

emco installation frame 500 / N

Model 500/N 600x400

Description	Frame ready assembled model 500/N aluminium, without wall anchor	Normmatte H x B x T in mm	26,5 x 600 x 400
		Model	500/N 600x400

Subject to technical modifications

emco Bautechnik GmbH · Breslauer Straße 34 - 38 · D-49808 Lingen (Ems)
· Germany · Phone: +49 (0) 591/9140-500 · Fax: +49 (0) 591/9140-852 · Email:
bau@emco.de · www.emco-bau.com

