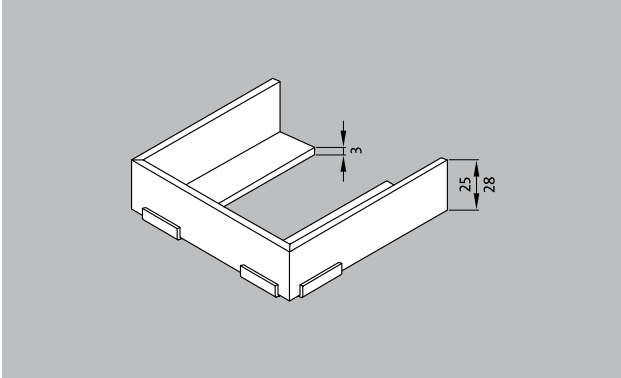


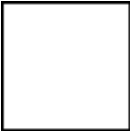
# Model 780



**Description**

Pre-assembled version with angled profile dimensions of 25 x 28 x 3 mm or 28 x 25 x 3 mm suitable for swimming pool gratings with construction heights of 22 and 25 mm. For straight profiles only.

**Colours**



White - similar to RAL 9010

## Model 780

<b>Material</b>	Polyester (fibre-glass reinforced)	<b>Service and services</b>
	The wall anchors and spacer brackets that are required (chrome-nickel steel) are included in the scope of delivery.	Dimensioning
		Repairs

Subject to technical modifications/Colours may deviate due to production processes