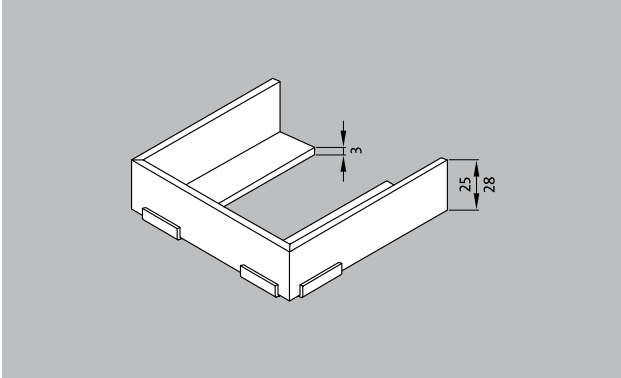
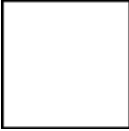


Model 780



Description
Pre-assembled version with angled profile dimensions of 25 x 28 x 3 mm or 28 x 25 x 3 mm suitable for swimming pool gratings with construction heights of 22 and 25 mm. For straight profiles only.

Colours



White - similar to RAL 9010

Model 780

Material	Polyester (fibre-glass reinforced)	Service and services
	The wall anchors and spacer brackets that are required (chrome-nickel steel) are included in the scope of delivery.	Dimensioning
		Repairs

Subject to technical modifications