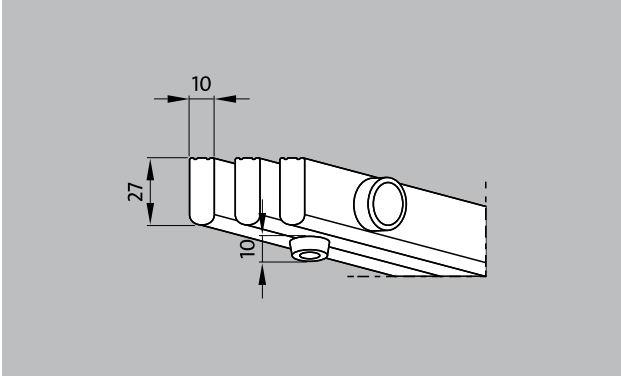




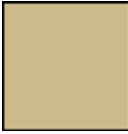
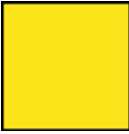
Model 772



Description

Rigid floor grating. Safe, stable and sound workmanship. Its high specific weight prevents the floor grating from floating in water. Special shapes that are circular or with angles available.

Colours

-  White - similar to RAL 9010
-  Grey - similar to RAL 7001
-  Beige - similar to RAL 1001
-  Yellow - similar to RAL 1018

Model 772

Material	<p>High quality, extremely hard-wearing plastic, with UV absorber.</p> <p>Entirely corrosion-free and resistant to chlorine, sea water and spa water.</p> <p>No need for any metal parts; surface enclosed on all sides to provide maximum hygiene.</p>
Support chassis	<p>Full profile (27 x 10 mm)</p> <p>Underside of grating equipped with 10 mm-high rubber feet</p>
Finish	Flat upper profile surface with safety profile seal (SPS).
Profile spacing:	< 8 mm in accordance with DIN EN 13451-1 and DIN EN 16582-1 (to prevent areas where fingers could become trapped)
Height (mm)	37
Connection	Fibre-glass reinforced polyester pipes as connection elements
Comment	Water drainage

Special shapes	yes
Water drainage	yes
Usage area	<p>Public shower areas</p> <p>Barrier-free shower areas</p> <p>Footbaths</p>
Dimensions	Produced to fit width and depth perfectly without the need for alignment profiles
Properties	<p>Aesthetically pleasing</p> <p>Good water drainage</p> <p>Corrosion-free</p> <p>Excellent non-slip properties</p>

Service and services
Dimensioning
Installation service
Repairs

Subject to technical modifications/Colours may deviate due to production processes