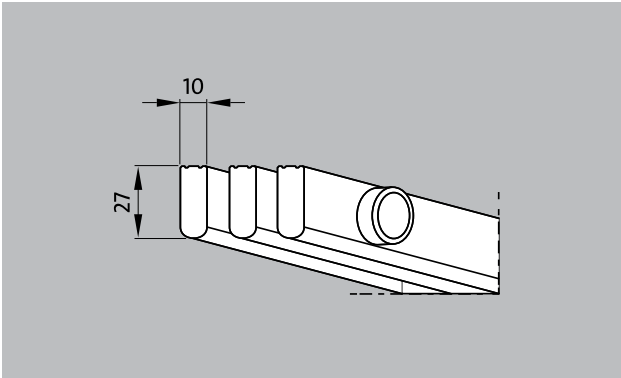
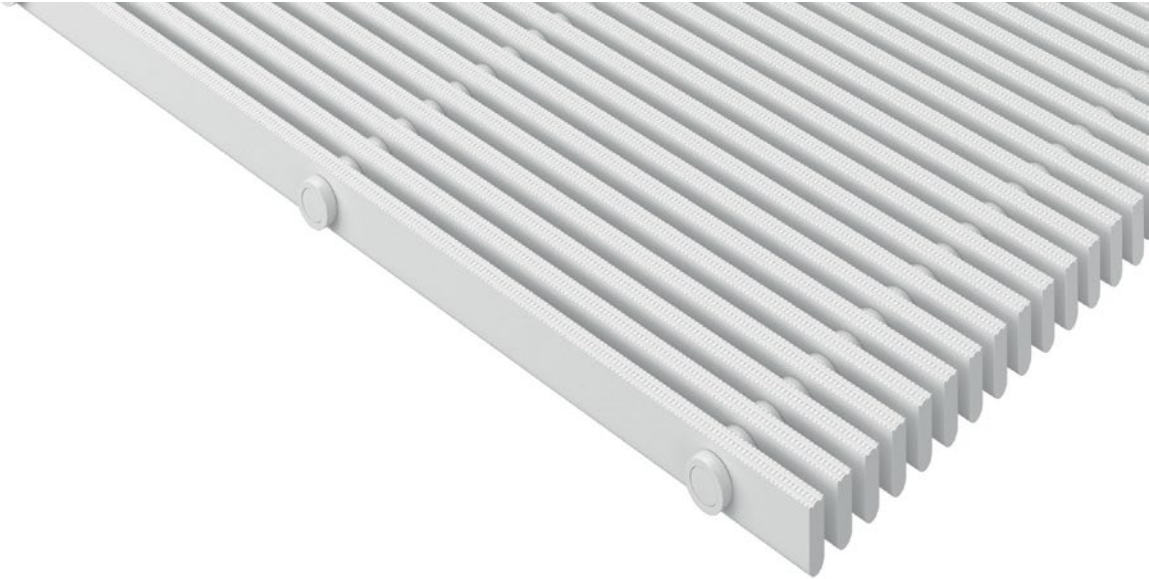


Model 771



Description

Rigid floor grating. Safe, stable and sound workmanship. Its high specific weight prevents the floor grating from floating in water. Special shapes that are circular or with angles available.

Colours

- White - similar to RAL 9010
- Grey - similar to RAL 7001
- Beige - similar to RAL 1001
- Yellow - similar to RAL 1018

Model 771

| | |
|-------------------------|--|
| Material | High quality, extremely hard-wearing plastic, with UV absorber. Entirely corrosion-free and resistant to chlorine, sea water and spa water. No need for any metal parts; surface enclosed on all sides to provide maximum hygiene. |
| Support chassis | Full profile (27 x 10 mm) |
| Finish | Flat upper profile surface with safety profile seal (SPS). |
| Profile spacing: | < 8 mm in accordance with DIN EN 13451-1 and DIN EN 16582-1 (to prevent areas where fingers could become trapped) |
| Height (mm) | 27 |
| Connection | Fibre-glass reinforced polyester pipes as connection elements |
| Comment | Fully supported |

| | |
|-----------------------|---|
| Special shapes | yes |
| Water drainage | No |
| Usage area | Public shower areas Barrier-free shower areas Footbaths |
| Dimensions | Produced to fit width and depth perfectly without the need for alignment profiles |
| Properties | Aesthetically pleasing Corrosion-free Excellent non-slip properties |

Service and services

Dimensioning

Installation service

Repairs

Subject to technical modifications