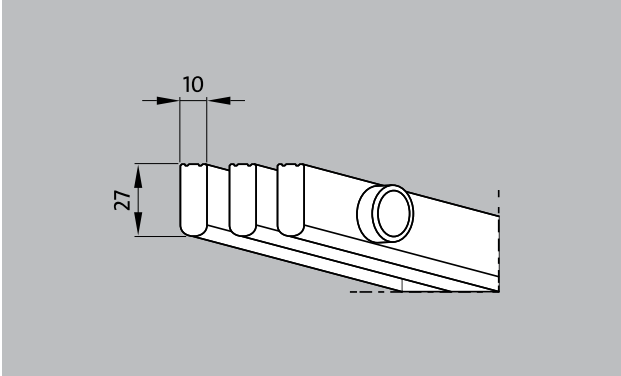


Model 771



Description

Rigid floor grating. Safe, stable and sound workmanship. Its high specific weight prevents the floor grating from floating in water. Special shapes that are circular or with angles available.

Colours

- White - similar to RAL 9010
- Grey - similar to RAL 7001
- Beige - similar to RAL 1001
- Yellow - similar to RAL 1018

Model 771

Material	High quality, extremely hard-wearing plastic, with UV absorber. Entirely corrosion-free and resistant to chlorine, sea water and spa water. No need for any metal parts; surface enclosed on all sides to provide maximum hygiene.
Support chassis	Full profile (27 x 10 mm)
Finish	Flat upper profile surface with safety profile seal (SPS).
Profile spacing:	< 8 mm in accordance with DIN EN 13451-1 and DIN EN 16582-1 (to prevent areas where fingers could become trapped)
Height (mm)	27
Connection	Fibre-glass reinforced polyester pipes as connection elements
Comment	Fully supported
Special shapes	yes

Water drainage	No
Usage area	Public shower areas Barrier-free shower areas Footbaths
Dimensions	Produced to fit width and depth perfectly without the need for alignment profiles
Properties	Aesthetically pleasing Good water drainage Corrosion-free Excellent non-slip properties

Service and services
Dimensioning
Installation service
Repairs

Subject to technical modifications