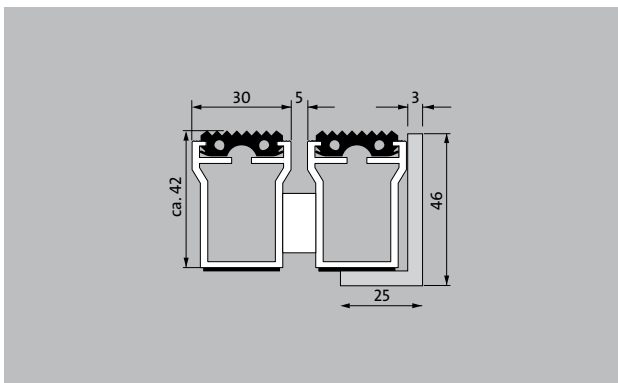
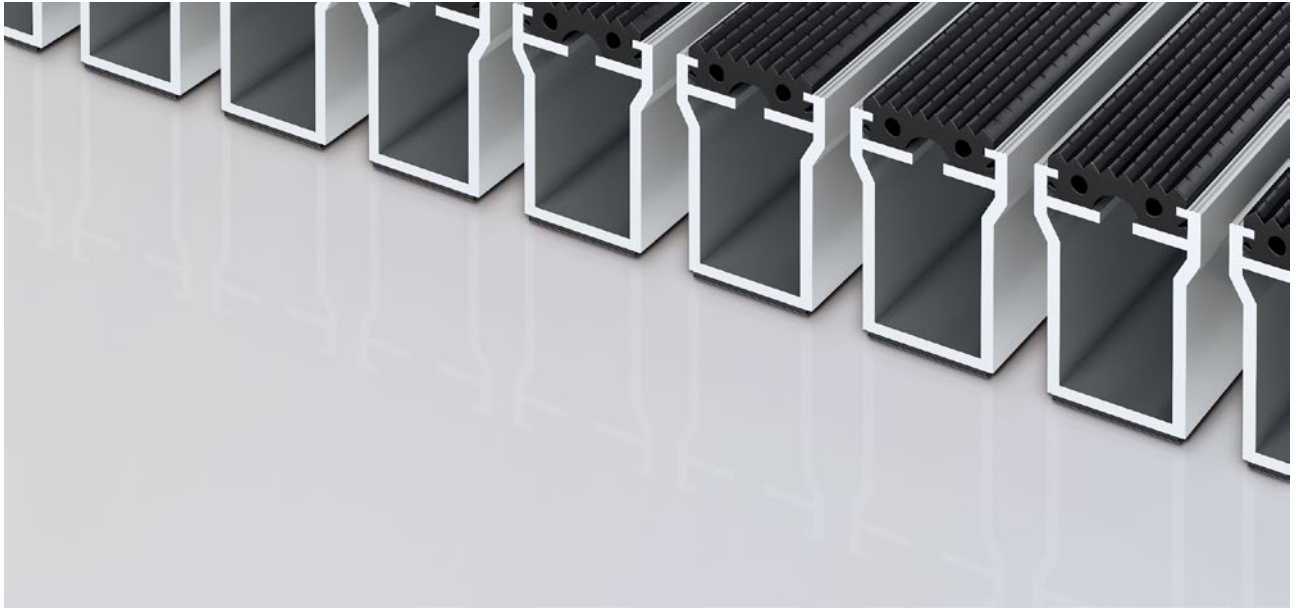


Model 542 SG

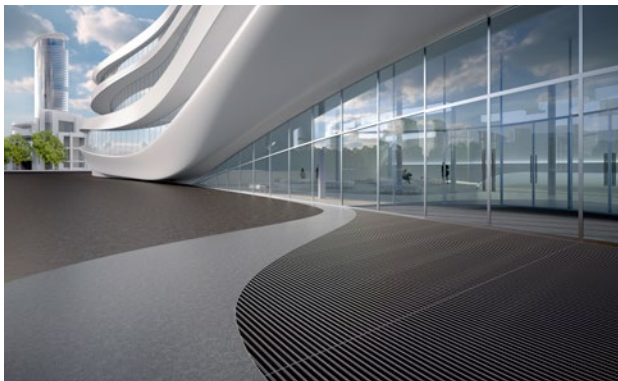


The toughest of all the robust weather-proof solutions available. For picking up significant amounts of coarse soiling in heavily frequented buildings.

1 **2** **3** Outside (Zone 1)

Description

Roll-up, extremely hard-wearing entrance mat for heavy loads, for supported and self-supporting laying. Can be rolled over and also driven over by pallet trucks and goods vehicles. The special profile shape and height enable more dirt to be collected between the profiles. Mats produced to fit width and walking depth specifications perfectly, without the need for adjustment profiles. Any geometric shape is available.



Outside (Zone 1)



Street dust, hair, sand, ash, textile fibres, small leaves and twigs, loose chippings, coarse sand, small gravel particles



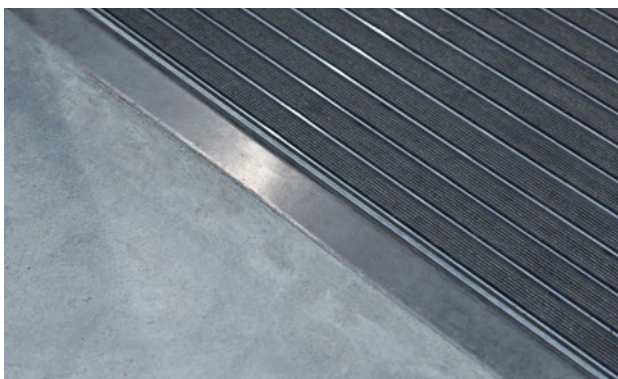
Extremely durable



Flammability in accordance with European standard Cfl-s1. (Tested by the Textiles & Flooring Institute GmbH).



4 year warranty



emco PLAZA With rubber insert

Model 542 SG

Approx. height (mm)	42
Roll-over and drive-over capability:	<p>Prams</p> <p>Sack-/hand truck</p> <p>Wheelchairs</p> <p>Light shopping trolleys</p> <p>hand trolleys</p> <p>pallet trucks</p> <p>Electric lift truck</p> <p>Cars</p> <p>Lifting platform (i.e scissor lift)</p> <p>Forklift truck</p>
Standard profile clearance approx. (mm)	5 mm, rubber spacers
Automatic door systems	Profile clearance of 3 mm available as an option for revolving door drives, in accordance with EN 16005
Connection	Plastic-coated steel cable
Max. width/profile length for individual section (mm):	2800
Profile width (mm)	30
Weight (kg/m²)	26,27
Mat division as per factory standards	From a profile length of 3000 mm or a maximum mat weight of 30 kg. For profile lengths above 2300 mm, a surcharge is applicable . Mat deviations/ splits possible at customer's request.
Support chassis	Thick-walled, rigid aluminium with impact sound insulation underlay
Tread surface	Recessed, robust, weather-proof profiled rubber inserts.
Flammability	Complete mat system available on request (surcharge applicable) with fire classification Bfl-s1 according to EN 13501.

Accessories
emco cover strip: C42 Chrome-nickel steel (V2A)
emco dirt collection well: 5542AL Aluminium
emco dirt collection well: 5000 AL Aluminium
emco dirt collection well: 5000 CN Chrome-nickel steel (V2A)
emco dirt collection well: 5000 AL+ Aluminium
emco dirt collection well: 5000 CN+ Chrome-nickel steel (V2A)
emco dirt collection well: 5542CN Chrome-nickel steel (V2A)
emco dirt collection well: 5042 AL Aluminium
emco dirt collection well: 5042 CN Chrome-nickel steel (V2A)
emco dirt collection well: 5542AL Aluminium
emco dirt collection well: 5542CN Chrome-nickel steel (V2A)
emco dirt collection well: 5000 AL Aluminium
emco dirt collection well: 5000 CN Chrome-nickel steel (V2A)
emco dirt collection well: 5000 AL+ Aluminium
emco dirt collection well: 5000 CN+ Chrome-nickel steel (V2A)
emco special frame with substructure: A Version A: with installation frame, rectangular tube profiles, grid support and height adjustment.
emco special frame with substructure: B Version B: with installation frame, grid support and rectangular tube profiles
emco special frame with substructure: C Type C: with installation frame and rectangular tube profiles
Rubber underlay 3 mm: GU 3
Rubber underlay 5 mm: GU 5
Rubber underlay 1 mm: GU 1
Mat joining brackets: MV Supplied as standard with mats in several parts

Suitable for:
Arena
Train station
DIY store
Shopping centre
University / Higher education institution
airport
Industry
Warehouse
Trade fair

emco PLAZA With rubber insert

Model 542 SG

Service and services

Construction site advice

Measured using laser measuring device on site.

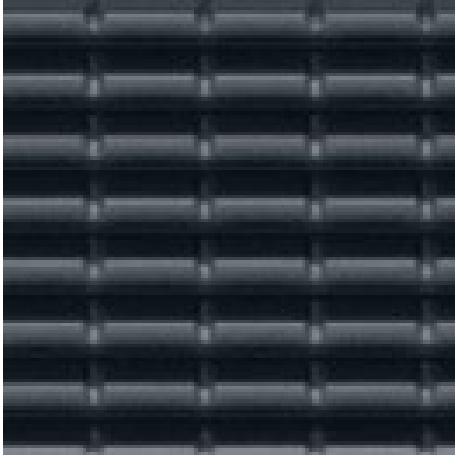
Fitting and installation service

The product can be disposed of or recycled in an environmentally friendly way.

emco PLAZA With rubber insert

Model 542 SG

Colours



black

Warranty conditions are available at:
www.emco-bau.com/en/warranty-conditions/

Subject to technical modifications

emco Bautechnik GmbH · Breslauer Straße 34 - 38 · D-49808 Lingen (Ems)
· Germany · Phone: +49 (0) 591/9140-500 · Fax: +49 (0) 591/9140-852 · Email:
bau@emco.de · www.emco-bau.com

EMCO