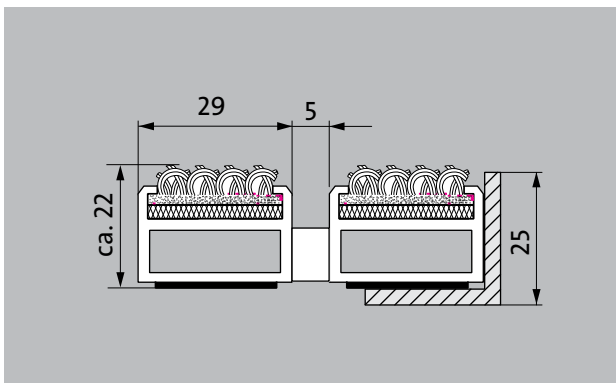
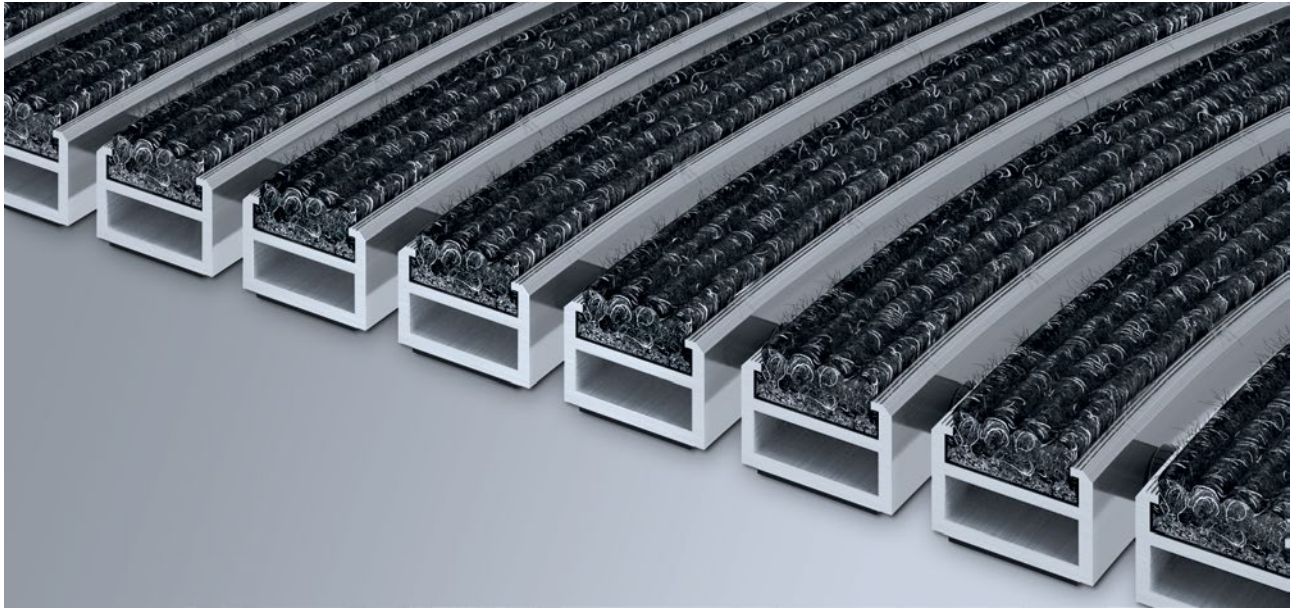


# emco RADIAL With ribbed carpet insert

## Model 522 RDR



The extravagant one for architecturally sophisticated properties. Ideal design for all entrances with round structural shapes. Ideal for picking up fine dirt.

**1** **2** **3** Indoor and outdoor  
(covered, Zone 1+2)

### Description

Hard-wearing, radial curved entrance mat. Installation frame and entrance mat as a single unit, for laying on the floor. Can be rolled over and also driven over by fork lifts and goods vehicles. Mats produced to fit width and walking depth specifications perfectly, without the need for alignment profiles. Smallest bending radius 800 mm.



Indoor and outdoor (covered, Zone 1+2)



Street dust, hair, sand, ash, textile fibres, small leaves and twigs, etc.



Extremely durable



Flammability in accordance with European standard Cfl-s1. (Tested by the Textiles & Flooring Institute GmbH).



## emco RADIAL With ribbed carpet insert

### Model 522 RDR

<b>Approx. height (mm)</b>	22
<b>Roll-over and drive-over capability:</b>	Wheelchairs Prams Light shopping trolleys hand trolleys Cars pallet trucks
<b>Standard profile clearance approx. (mm)</b>	5 mm, rubber spacers
<b>Revolving door drives</b>	Our mats with a profile spacing of 3mm in accordance with DIN EN 16005 are available for revolving door drives.
<b>Connection</b>	Threaded stainless steel rod
<b>Max. width/profile length for individual section (mm):</b>	3000
<b>Profile width (mm)</b>	29
<b>Weight (kg/m<sup>2</sup>)</b>	16,8
<b>Mat division as per factory standards</b>	From a profile length of 3000 mm or a maximum mat weight of 30 kg. For profile lengths above 2300 mm, a surcharge is applicable. Mat divisions/splits possible at customer's request.
<b>Support chassis</b>	Made using aluminium with sound absorbing insulation on the underside
<b>Tread surface</b>	Recessed, robust, weather-proof, ribbed carpet strips.

<b>Flammability</b>	Insert for Light Grey and Anthracite ribbed carpet colours available on request (surcharge applicable) with fire classification Cf1-s1 according to EN 13501.
<b>Colour fastness to artificial light ISO 105-B02</b>	good 6
<b>Colour fastness to rubbing ISO 105 X12</b>	good 4
<b>Colour fastness to water ISO 105 E01</b>	good 5

<b>Accessories</b>
emco installation frame 500: 500-25 AL Aluminium
emco installation frame 500: 500-25 CN Chrome-nickel steel (V2A)
emco T-profile: T22
Mat joining brackets: MV Supplied as standard with mats in several parts

<b>Service and services</b>
Construction site advice
Measured using laser measuring device on site.
Fitting and installation service
The product can be disposed of or recycled in an environmentally friendly way.

## Model 522 RDR

### Colours



Light grey no. 220



Anthracite no. 200



Red no. 305



Brown no. 485



Sand no. 430

Subject to technical modifications/Colours may deviate due to production processes