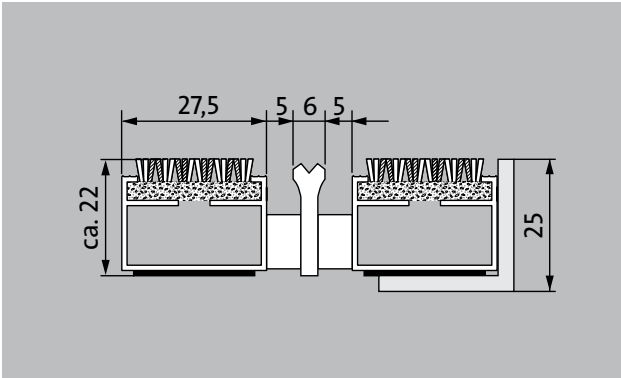
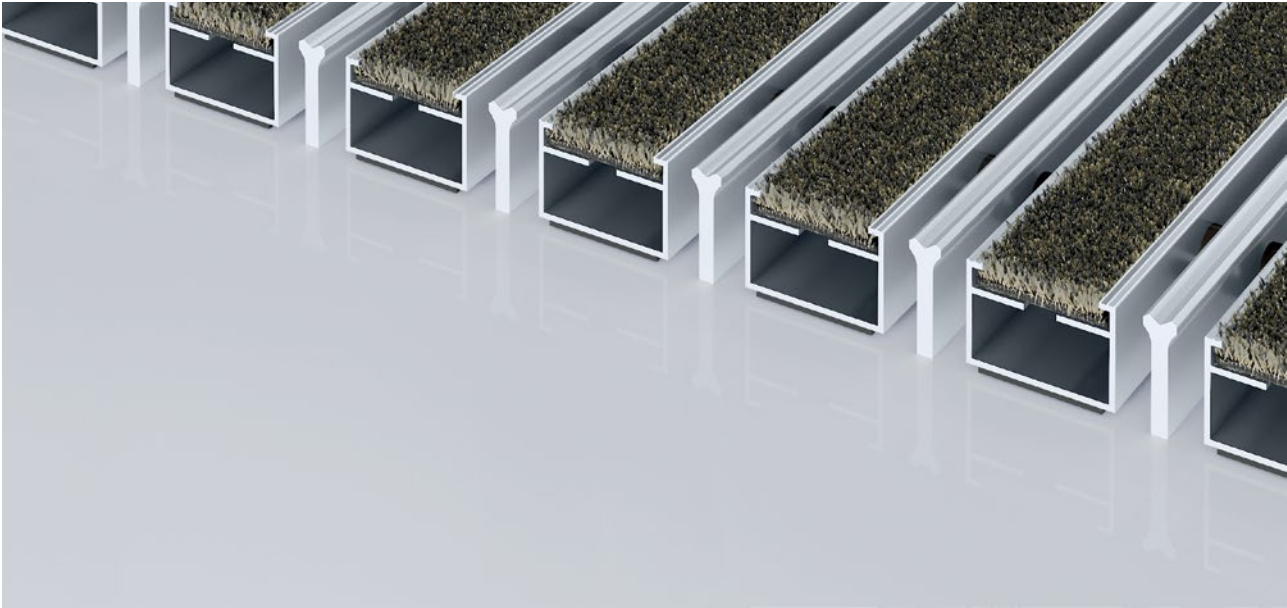


Model 522 P Conform K



The premium entrance mat with the Conform insert made of recycled materials is the perfect complement to wooden surroundings and can be used in a whole host of environments. Particularly ideal for collecting fine dirt. Optimally designed for buildings exposed to extreme footfall.

- 1**
- 2**
- 3** Indoor and outdoor (covered, Zone 1+2)

Description

Rollable and hard-wearing premium entrance mat with performance insert for supported installation options. Customisable widths and walking depths available without a compensation profile. Available in any geometric shape.

| | | | | |
|---|--|---|---|---|
|  |  |  |  |  |
| Indoor and outdoor (covered, Zone 1+2) | Street dust, hair, sand, ash, textile fibres, small leaves and twigs, etc. | Damp street dust, damp sand deposits, dust, etc. | | 5 years guarantee |
|  |  | | | |
| Cfl-s1 | class 32 (general commercial use) | | | |

Model 522 P Conform K

| | |
|---|--|
| Approx. height (mm) | 22 |
| Roll-over and drive-over capability: | Prams Sack-/hand truck Wheelchairs |
| Standard profile clearance approx. (mm) | 5 mm, rubber spacers |
| Automatic door systems | Profile clearance of 3 mm available as an option for revolving door drives, in accordance with EN 16005 |
| Connection | Plastic-coated stainless steel cable |
| Max. width/profile length for individual section (mm): | 3000 |
| Profile width (mm) | 27.5 |
| Weight (kg/m²) | 12,2 |
| Mat division as per factory standards | From a profile length of 3000 mm or a maximum mat weight of 30 kg. For profile lengths above 2300 mm, a surcharge is applicable. Mat deviations/splits possible at customer's request. |
| Support chassis | Made using rigid aluminium with Premium sound absorbing insulation on the underside |
| Support chassis colour | Aluminium as standard. Anodised colours for an additional charge: EV3 gold, C33 mid-bronze, C35 black or C31 stainless steel |
| Tread surface | The Conform insert made of recycled materials is the perfect complement to wooden surroundings and can be used in a whole host of environments. The additional profile increases the cleaning power. |
| Flammability | Insert with fire classification Cfl-s1 according to EN 13501. |
| Pile material | 100% PA 6 (polyamide) |
| Use classification EN1307 | class 33 (heavy commercial use) |

| Accessories |
|--|
| emco installation frame 500: 500-25 AL Aluminium |
| emco installation frame 500: 500-25 CN Chrome-nickel steel (V2A) |
| emco ramp edge: A17 Aluminium |
| emco T-profile: T22 |
| emco cover strip: C22 Chrome-nickel steel (V2A) |
| emco INOX®: LINEO 22 Chrome-nickel steel (V2A) |
| emco INOX®: QUADRO 22 Chrome-nickel steel (V2A) |
| emco dirt collection well: 5522AL Aluminium |
| emco dirt collection well: 5522CN Chrome-nickel steel (V2A) |
| emco dirt collection well: 5522AL Aluminium |
| emco dirt collection well: 5522CN Chrome-nickel steel (V2A) |
| Rubber underlay 3 mm: GU 3 |
| Rubber underlay 5 mm: GU 5 |
| Rubber underlay 1 mm: GU 1 |
| Mat joining brackets: MV Supplied as standard with mats in several parts |

| Suitable for: |
|--|
| Retirement homes and Care-/Nursery Homes |
| medical practice |
| Offices and administrative buildings |
| Family home |
| Retail sector |
| Hotel |
| Kindergarten/Nursery |
| Apartment building |
| School |
| Sports hall |

| Insert certified to TÜV PROFiCERT- product interior (Standard) |
|---|
| French VOC regulation |
| LEED v4 (outside North America) |
| BREEAM Exemplary Level |
| Belgian VOC regulation |
| AgBB (Committee for Health-related Evaluation of Building Products) |
| MVV TB Appendix 8, 9 / ABG |

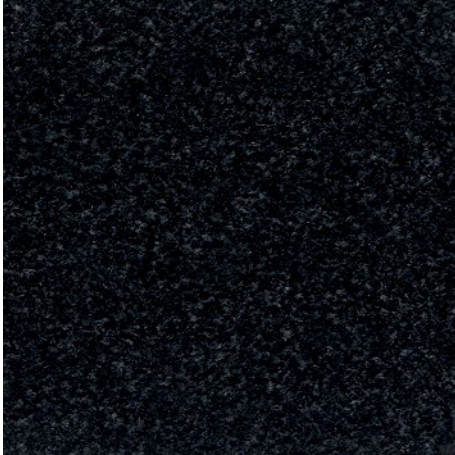
Model 522 P Conform K

| |
|--|
| Service and services |
| Construction site advice |
| Dimensioning |
| Measured using laser measuring device on site. |

| |
|--|
| Installation service |
| Fitting and installation service |
| Repairs |
| The product can be disposed of or recycled in an environmentally friendly way. |

Model 522 P Conform K

Colours



76.01 Anthracite



76.02 Beige



76.04 Brown

Warranty conditions are available at:
www.emco-bau.com/en/warranty-conditions/

Subject to technical modifications

emco Bautechnik GmbH · Breslauer Straße 34 - 38 · D-49808 Lingen (Ems)
· Germany · Phone: +49 (0) 591/9140-500 · Fax: +49 (0) 591/9140-852 · Email:
bau@emco.de · www.emco-bau.com

