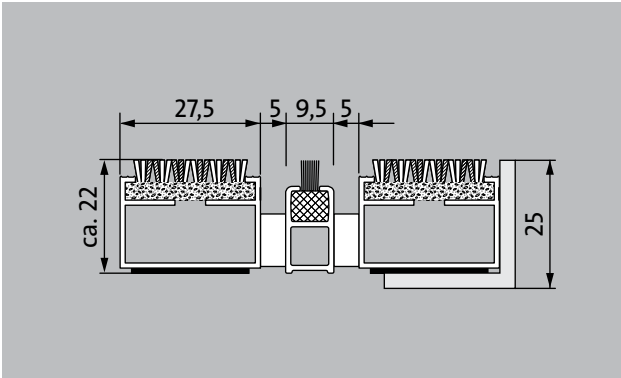
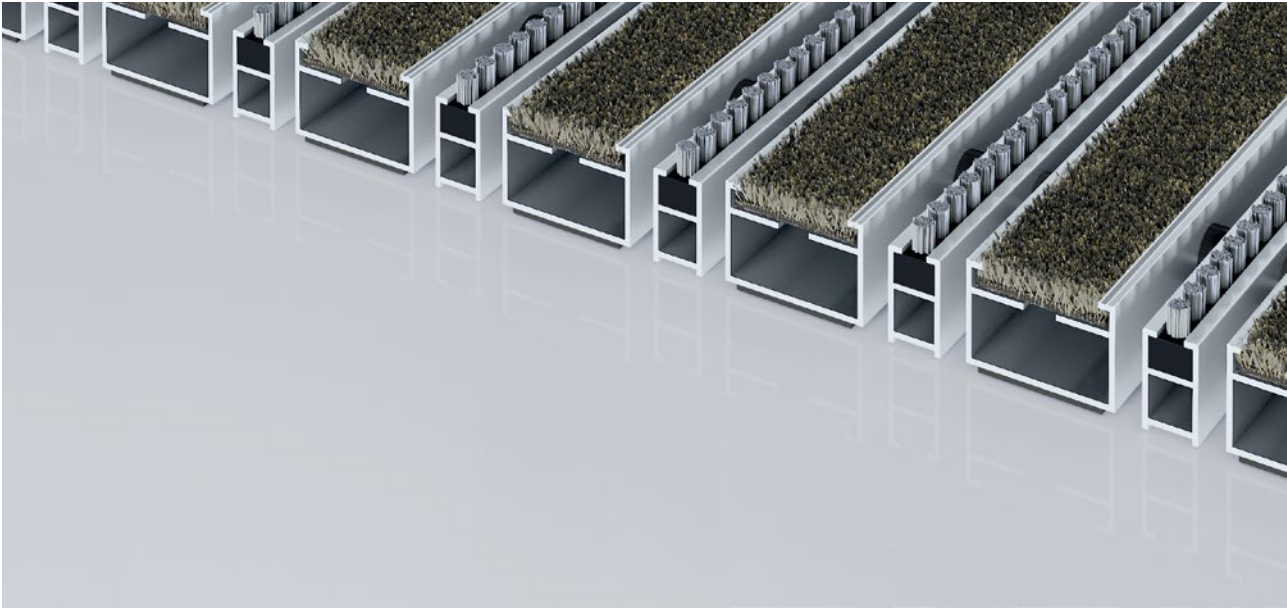


# Model 522 P Conform B



The premium entrance mat with the Conform insert made of recycled materials is the perfect complement to wooden surroundings and can be used in a whole host of environments. Particularly ideal for collecting fine dirt. Optimally designed for buildings exposed to extreme footfall.

- 1**
- 2**
- 3** Indoor and outdoor (covered, Zone 1+2)

**Description**

Rollable and hard-wearing premium entrance mat with performance insert for supported installation options. Customisable widths and walking depths available without a compensation profile. Available in any geometric shape.

|   |  |   |   |   |
|---|--|---|---|---|
|  |  |  |  |  |
| Indoor and outdoor (covered, Zone 1+2)  | Street dust, hair, sand, ash, textile fibres, small leaves and twigs, etc.           | Damp street dust, damp sand deposits, dust, etc.                                      |   | 5 years guarantee   |
|  |  |   |   |   |
| Cfl-s1  | class 32 (general commercial use)  |   |   |   |

## Model 522 P Conform B

|   |  |
|---|--|
| <b>Approx. height (mm)</b>                                    | 22   |
| <b>Roll-over and drive-over capability:</b>                   | Prams<br>Sack-/hand truck<br>Wheelchairs   |
| <b>Standard profile clearance approx. (mm)</b>                | 5 mm, rubber spacers   |
| <b>Automatic door systems</b>                                 | Profile clearance of 3 mm available as an option for revolving door drives, in accordance with EN 16005  |
| <b>Connection</b>   | Plastic-coated stainless steel cable   |
| <b>Max. width/profile length for individual section (mm):</b> | 3000   |
| <b>Profile width (mm)</b>                                     | 27.5   |
| <b>Weight (kg/m<sup>2</sup>)</b>                              | 10,8   |
| <b>Mat division as per factory standards</b>                  | From a profile length of 3000 mm or a maximum mat weight of 30 kg. For profile lengths above 2300 mm, a surcharge is applicable. Mat deviations/splits possible at customer's request.               |
| <b>Support chassis</b>  | Made using rigid aluminium with Premium sound absorbing insulation on the underside  |
| <b>Support chassis colour</b>                                 | Aluminium as standard. Anodised colours for an additional charge: EV3 gold, C33 mid-bronze, C35 black or C31 stainless steel   |
| <b>Tread surface</b>  | The Conform insert made of recycled materials is the perfect complement to wooden surroundings and can be used in a whole host of environments. The additional profile increases the cleaning power. |
| <b>Flammability</b>   | Insert with fire classification Cfl-s1 according to EN 13501.  |
| <b>Pile material</b>  | 100% PA 6 (polyamide)  |
| <b>Use classification EN1307</b>                              | class 33 (heavy commercial use)  |

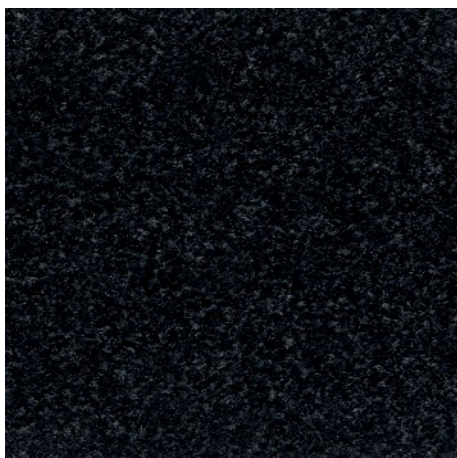
| Accessories  |
|--|
| emco installation frame 500: 500-25 AL Aluminium                         |
| emco installation frame 500: 500-25 CN Chrome-nickel steel (V2A)         |
| emco ramp edge: A17 Aluminium  |
| emco T-profile: T22  |
| emco cover strip: C22 Chrome-nickel steel (V2A)                          |
| emco INOX®: LINEO 22 Chrome-nickel steel (V2A)                           |
| emco INOX®: QUADRO 22 Chrome-nickel steel (V2A)                          |
| emco dirt collection well: 5522AL Aluminium                              |
| emco dirt collection well: 5522CN Chrome-nickel steel (V2A)              |
| emco dirt collection well: 5522AL Aluminium                              |
| emco dirt collection well: 5522CN Chrome-nickel steel (V2A)              |
| Rubber underlay 3 mm: GU 3   |
| Rubber underlay 5 mm: GU 5   |
| Rubber underlay 1 mm: GU 1   |
| Mat joining brackets: MV Supplied as standard with mats in several parts |

| Suitable for:                            |
|--|
| Retirement homes and Care-/Nursery Homes |
| medical practice                         |
| Offices and administrative buildings     |
| Family home                              |
| Retail sector                            |
| Hotel                                    |
| Kindergarten/Nursery                     |
| Apartment building                       |
| School                                   |
| Sports hall                              |

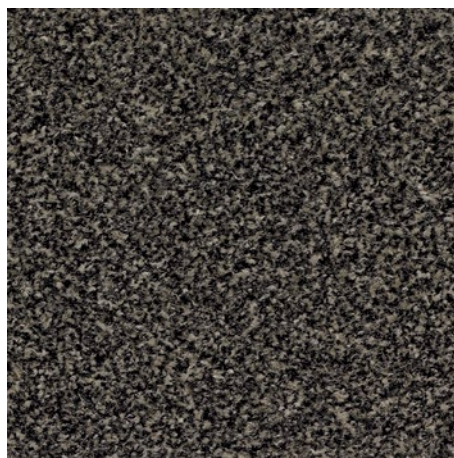
| Service and services   |
|--|
| Construction site advice   |
| Dimensioning   |
| Measured using laser measuring device on site.                                 |
| Installation service   |
| Fitting and installation service   |
| Repairs  |
| The product can be disposed of or recycled in an environmentally friendly way. |

## Model 522 P Conform B

### Colours



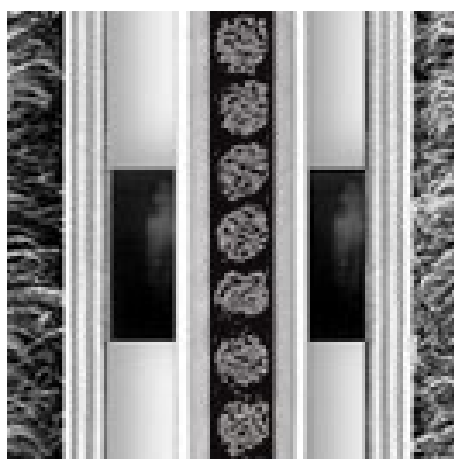
76.01 Anthracite



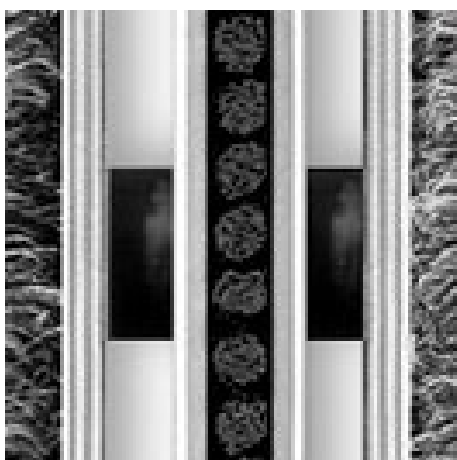
76.02 Beige



76.04 Brown



grey



Black

Warranty conditions are available at:  
[www.emco-bau.com/en/warranty-conditions/](http://www.emco-bau.com/en/warranty-conditions/)

Subject to technical modifications

emco Bautechnik GmbH · Breslauer Straße 34 - 38 · D-49808 Lingen (Ems)  
· Germany · Phone: +49 (0) 591/9140-500 · Fax: +49 (0) 591/9140-852 · Email:  
[bau@emco.de](mailto:bau@emco.de) · [www.emco-bau.com](http://www.emco-bau.com)