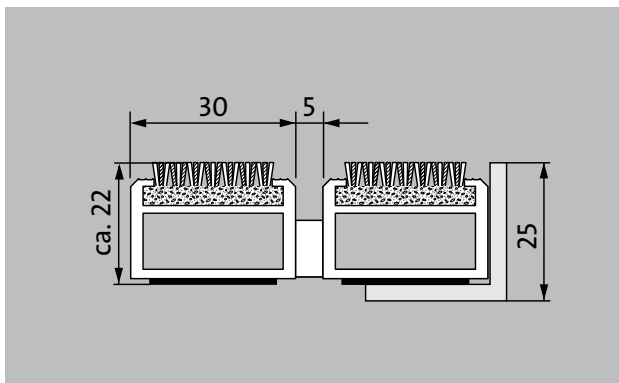


Model 522 PS Innova



The premium entrance mat with the exceptionally flexible Innova insert not only creates a sophisticated impression but also improves room acoustics. Particularly ideal for collecting fine dirt. Optimally designed for buildings exposed to extreme footfall.

- 1
 - 2
 - 3
- Indoor and outdoor (covered, Zone 1+2)

Description

Rollable, extremely hard-wearing, premium entrance mat with performance insert for supported installation options. Also capable of withstanding wheeled traffic. Customisable widths and walking depths available without a compensation profile. Available in any geometric shape.



Indoor and outdoor (covered, Zone 1+2)



Street dust, hair, sand, ash, textile fibres, small leaves and twigs, etc.



Damp street dust, damp sand deposits, dust, etc.



R12 slip resistance as per DIN 51130



class 33 (heavy commercial use)



5 years guarantee



Cfl-s1

Model 522 PS Innova

Approx. height (mm)	22
Roll-over and drive-over capability:	<p>Prams</p> <p>Sack-/hand truck</p> <p>Wheelchairs</p> <p>Light shopping trolleys</p> <p>hand trolleys</p> <p>pallet trucks</p> <p>Electric lift truck</p> <p>Cars</p> <p>Lifting platform (i.e scissor lift)</p>
Standard profile clearance approx. (mm)	5 mm, rubber spacers
Automatic door systems	Profile clearance of 3 mm available as an option for revolving door drives, in accordance with EN 16005
Connection	Plastic-coated stainless steel cable
Max. width/profile length for individual section (mm):	3000
Profile width (mm)	30
Weight (kg/m²)	16,8
Mat division as per factory standards	From a profile length of 3000 mm or a maximum mat weight of 30 kg. For profile lengths above 2300 mm, a surcharge is applicable . Mat deviations/splits possible at customer's request.
Support chassis	Reinforced support chassis made using rigid aluminium with Premium sound absorbing insulation on the underside
Support chassis colour	Aluminium as standard. Anodised colours for an additional charge: EV3 gold, C33 mid-bronze, C35 black or C31 stainless steel
Tread surface	The exceptionally flexible Innova insert not only creates a sophisticated impression but also improves room acoustics.
Slip resistance	R 12 slip resistance as per DIN 51130
Flammability	Fire classification for the complete mat system Cf1-s1 in accordance with EN 13501
Pile material	100% PA 6 (polyamide)
Use classification EN1307	class 33 (heavy commercial use)
Colour fastness to artificial light ISO 105-B02	good 5-6
Colour fastness to rubbing ISO 105 X12	good 4-5

Colour fastness to water ISO 105 E01	good 4-5
Bacterial reduction EHEC ASTM-e2149	8,4 %
Bacterial reduction staphylococcus aureus ASTM-e2149	51,7 %
Bacterial reduction klebsiella pneumoniae ASTM-e2149	83,6 %

Model 522 PS Innova

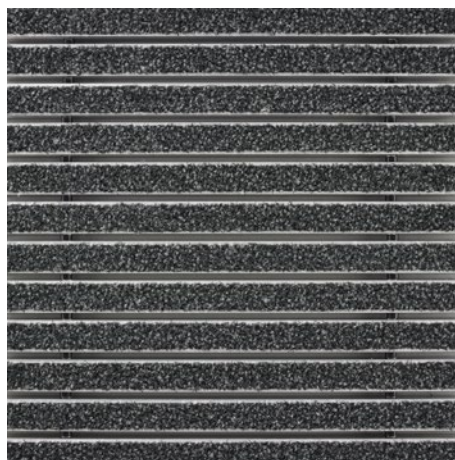
Accessories	Suitable for:
emco installation frame 500: 500-25 AL Aluminium	Retirement homes and Care-/Nursery Homes
emco installation frame 500: 500-25 CN Chrome-nickel steel (V2A)	Arena
emco ramp edge: A17 Aluminium	medical practice
emco T-profile: T22	Train station
emco cover strip: C22 Chrome-nickel steel (V2A)	DIY store
emco INOX®: LINEO 22 Chrome-nickel steel (V2A)	Offices and administrative buildings
emco INOX®: QUADRO 22 Chrome-nickel steel (V2A)	Family home
emco dirt collection well: 5000 AL Aluminium	Shopping centre
emco dirt collection well: 5000 CN Chrome-nickel steel (V2A)	Retail sector
emco dirt collection well: 5000 AL+ Aluminium	University / Higher education institution
emco dirt collection well: 5000 CN+ Chrome-nickel steel (V2A)	airport
emco dirt collection well: 5022 AL Aluminium	Hotel
emco dirt collection well: 5022 CN Chrome-nickel steel (V2A)	Industry
emco dirt collection well: 5022 AL+ Aluminium	Kindergarten/Nursery
emco dirt collection well: 5022 CN+ Chrome-nickel steel (V2A)	Clinic/Hospital
emco dirt collection well: 5522AL Aluminium	Warehouse
emco dirt collection well: 5522CN Chrome-nickel steel (V2A)	Apartment building
emco dirt collection well: 5022 AL Aluminium	Trade fair
emco dirt collection well: 5022 CN Chrome-nickel steel (V2A)	School
emco dirt collection well: 5522AL Aluminium	Sports hall
emco dirt collection well: 5522CN Chrome-nickel steel (V2A)	Supermarket
emco dirt collection well: 5022 AL+ Aluminium	
emco dirt collection well: 5022 CN+ Chrome-nickel steel (V2A)	
emco dirt collection well: 5000 AL Aluminium	
emco dirt collection well: 5000 CN Chrome-nickel steel (V2A)	
emco dirt collection well: 5000 AL+ Aluminium	
emco dirt collection well: 5000 CN+ Chrome-nickel steel (V2A)	
emco special frame with substructure: A Version A: with installation frame, rectangular tube profiles, grid support and height adjustment.	
emco special frame with substructure: B Version B: with installation frame, grid support and rectangular tube profiles	
emco special frame with substructure: C Type C: with installation frame and rectangular tube profiles	
Rubber underlay 3 mm: GU 3	
Rubber underlay 5 mm: GU 5	
Rubber underlay 1 mm: GU 1	
Mat joining brackets: MV Supplied as standard with mats in several parts	
	Insert certified to TÜV PROFiCERT- product interior (Standard)
	French VOC regulation
	LEED v4 (outside North America)
	BREEAM Exemplary Level
	Belgian VOC regulation
	AgBB (Committee for Health-related Evaluation of Building Products)
	MVV TB Appendix 8, 9 / ABG
	Service and services
	Construction site advice
	Dimensioning
	Measured using laser measuring device on site.
	Installation service
	Fitting and installation service
	Repairs
	The product can be disposed of or recycled in an environmentally friendly way.

Model 522 PS Innova

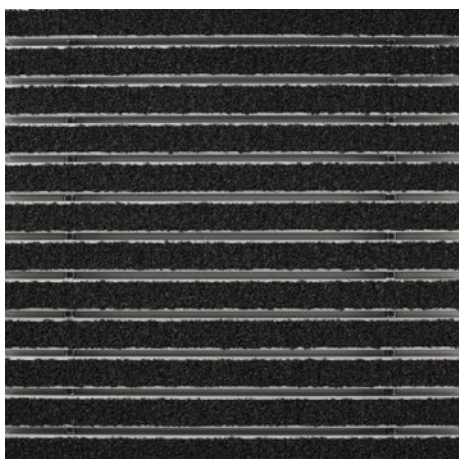
Colours



36.02 anthracite



36.03 grey



36.01 black

Warranty conditions are available at:
www.emco-bau.com/en/warranty-conditions/

Subject to technical modifications

emco Bautechnik GmbH · Breslauer Straße 34 - 38 · D-49808 Lingen (Ems)
· Germany · Phone: +49 (0) 591/9140-500 · Fax: +49 (0) 591/9140-852 · Email:
bau@emco.de · www.emco-bau.com

