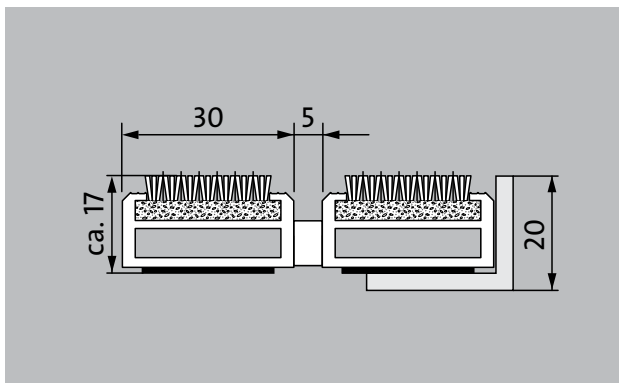


Model 517 PS Maximus

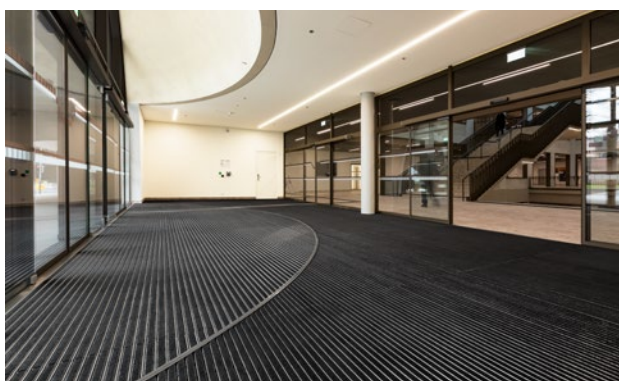
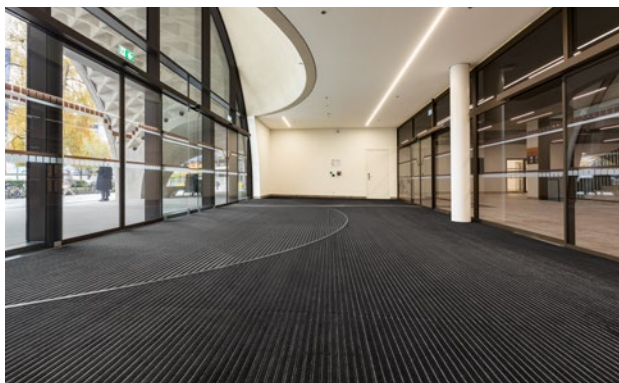


The premium entrance mat with the stylish, carpet-look Maximus insert stands out from the crowd with its premium-quality tufted velour and high-end design. Particularly ideal for collecting fine dirt. Optimally designed for buildings exposed to extreme footfall.

- 1
 - 2
 - 3
- Indoor and outdoor (covered, Zone 1+2)

Description

Roll-up, extremely hard-wearing Premium entrance mat with Performance insert for recess installation. Can be rolled over and even driven over. Customise the width and depth without alignment profile. Available in any geometric shape.



Indoor and outdoor (covered, Zone 1+2)	Street dust, hair, sand, ash, textile fibres, small leaves and twigs, etc.	Damp street dust, damp sand deposits, dust, etc.	R 12 slip resistance as per DIN 51130	
5 years guarantee	Bfl-s1	Property suitable inlay 33		

Model 517 PS Maximus

Approx. height (mm)	17
Note on height	The insert can actually be approx. 2-3 mm higher due to the wear layer.
Roll-over and drive-over capability:	<p>Prams</p> <p>Sack-/hand truck</p> <p>Wheelchairs</p> <p>Light shopping trolleys</p> <p>hand trolleys</p> <p>pallet trucks</p> <p>Electric lift truck</p> <p>Cars</p>
Standard profile clearance approx. (mm)	5 mm, rubber spacers
Revolving door drives	Our mats with a profile spacing of 3mm in accordance with DIN EN 16005 are available for revolving door drives.
Connection	Thanks to plastic-coated steel cable
Max. width/profile length for individual section (mm):	3000
Profile width (mm)	30
Weight (kg/m²)	14,7
Mat division as per factory standards	From a profile length of 3000 mm or a maximum mat weight of 30 kg. For profile lengths above 2300 mm, a surcharge is applicable. Mat deviations/splits possible at customer's request.
Support chassis	Reinforced support chassis made using rigid aluminium with sound absorbing insulation on the underside
Support chassis colour	Anodised colours for an additional charge: EV3 gold, C33 mid-bronze, C35 black or C31 stainless steel
Tread surface	Embedded, robust MAXIMUS inserts in Bfl-S1 quality (clean-off floor covering made from special polyamide yarn, 100%)
Slip resistance	R 12 slip resistance as per DIN 51130
Flammability	Fire classification for the complete mat system Bfl-s1 in accordance with EN 13501
Pile material	100% PA 6.6 (polyamide)
Use classification EN1307	Property suitable inlay 33
Colour fastness to artificial light ISO 105-B02	good 5-6
Colour fastness to rubbing ISO 105 X12	good 5

Colour fastness to water ISO 105 E01	good 5
Bacterial reduction EHEC ASTM-e2149	29,4 %
Bacterial reduction staphylococcus aureus ASTM-e2149	16,7 %
Bacterial reduction klebsiella pneumoniae ASTM-e2149	68,2 %

Model 517 PS Maximus

Accessories	Suitable for:
emco installation frame 500: 500-20 AL Aluminium	Retirement homes and Care-/Nursery Homes
emco installation frame 500: 500-20 CN Chrome-nickel steel (V2A)	Arena
emco ramp edge: A17 Aluminium	medical practice
emco T-profile: T17	Train station
emco cover strip: C17 Chrome-nickel steel (V2A)	DIY store
emco INOX®: LINEO 17 Chrome-nickel steel (V2A)	Offices and administrative buildings
emco INOX®: QUADRO 17 Chrome-nickel steel (V2A)	Family home
emco dirt collection well: 5542AL Aluminium	Shopping centre
emco dirt collection well: 5000 AL Aluminium	Retail sector
emco dirt collection well: 5000 CN Chrome-nickel steel (V2A)	University / Higher education institution
emco dirt collection well: 5000 AL+ Aluminium	airport
emco dirt collection well: 5000 CN+ Chrome-nickel steel (V2A)	Hotel
emco dirt collection well: 5512AL Aluminium	Industry
emco dirt collection well: 5512CN Chrome-nickel steel (V2A)	Kindergarten/Nursery
emco dirt collection well: 5517AL Aluminium	Clinic/Hospital
emco dirt collection well: 5517CN Chrome-nickel steel (V2A)	Warehouse
emco dirt collection well: 5522AL Aluminium	Apartment building
emco dirt collection well: 5522CN Chrome-nickel steel (V2A)	Trade fair
emco dirt collection well: 5017 AL Aluminium	School
emco dirt collection well: 5017 CN Chrome-nickel steel (V2A)	Sports hall
emco dirt collection well: 5000 AL Aluminium	Supermarket
emco dirt collection well: 5000 CN Chrome-nickel steel (V2A)	
emco dirt collection well: 5000 AL+ Aluminium	
emco dirt collection well: 5000 CN+ Chrome-nickel steel (V2A)	
emco special frame with substructure: A Version A: with installation frame, rectangular tube profiles, grid support and height adjustment.	Insert certified to TÜV PROFiCERT- product interior (Standard)
emco special frame with substructure: B Version B: with installation frame, grid support and rectangular tube profiles	French VOC regulation
emco special frame with substructure: C Type C: with installation frame and rectangular tube profiles	LEED v4 (outside North America)
Rubber underlay 1 mm: GU 1	BREEAM Exemplary Level
Rubber underlay 3 mm: GU 3	Belgian VOC regulation
Rubber underlay 5 mm: GU 5	AgBB (Committee for Health-related Evaluation of Building Products)
Mat joining brackets: MV Supplied as standard with mats in several parts	MVV TB Appendix 8, 9 / ABG
	Service and services
	Construction site advice
	Dimensioning
	Measured using laser measuring device on site.
	Installation service
	Fitting and installation service
	Repairs
	The product can be disposed of or recycled in an environmentally friendly way.

Model 517 PS Maximus

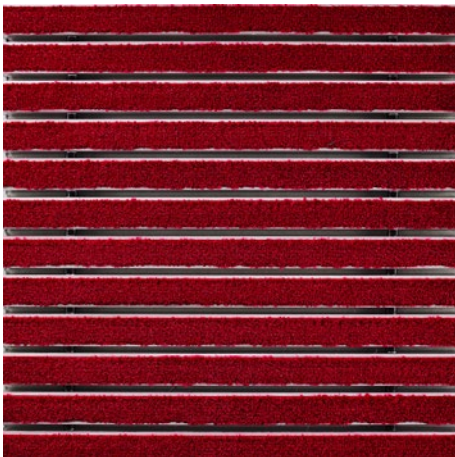
Colours



Anthracite 80.02



Brown 80.04



Red 80.07



Black mottled 81.01



Black 80.01

Warranty conditions are available at:
www.emco-bau.com/en/warranty-conditions/

Subject to technical modifications/Colours may deviate due to production processes