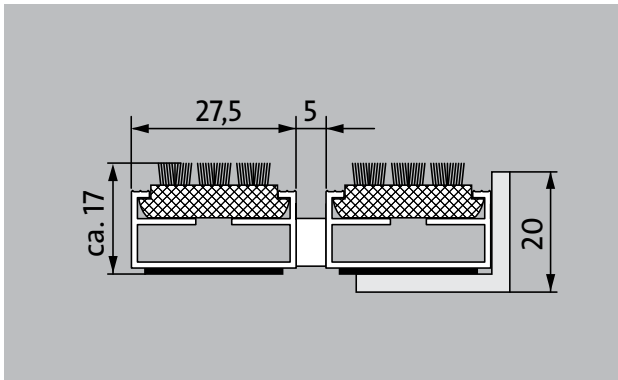
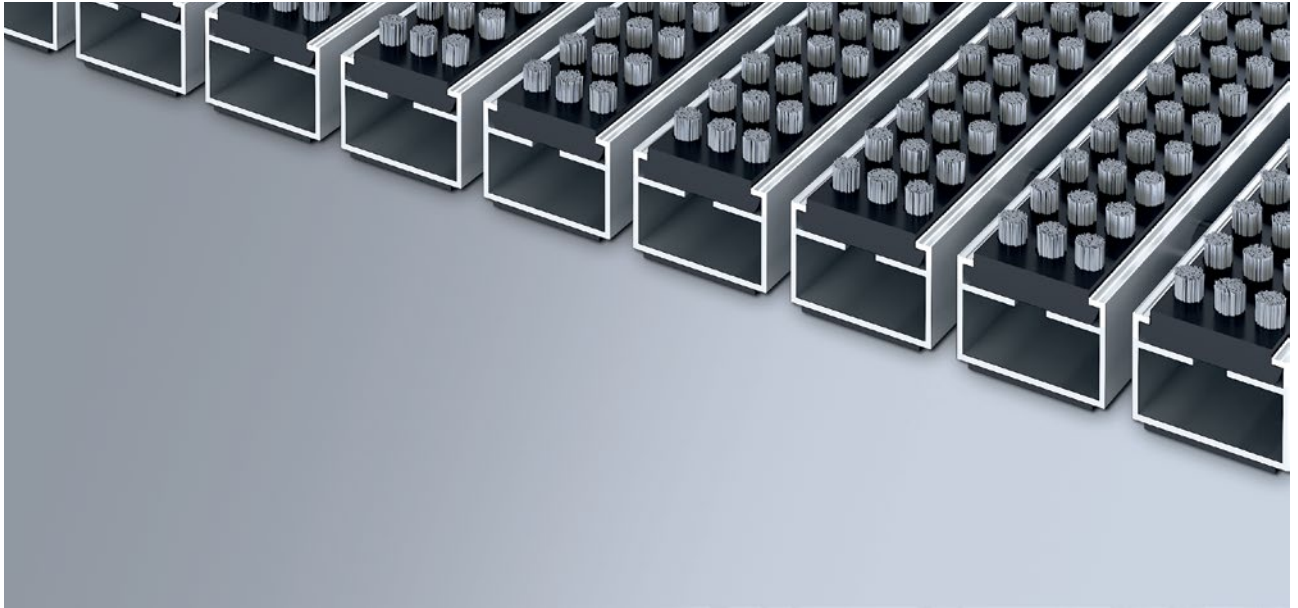


# emco DIPLOMAT Original With cassette brush

## Model 517 CB



The original entrance mat with the weather-resistant, cassette-brush insert for noticeably thorough removal of coarse dirt is fitted with a parallel arrangement of bristle bundles. Optimally designed for buildings exposed to average to heavy footfall.



### Description

Rollable and hard-wearing original entrance mat with standard insert for supported installation options. Customisable widths and walking depths available without a compensation profile. Available in any geometric shape.



Outside  
(Zone 1)



Street dust,  
hair, sand,  
ash, textile  
fibres, small  
leaves and  
twigs, loose  
chippings,  
coarse sand,  
small gravel  
particles



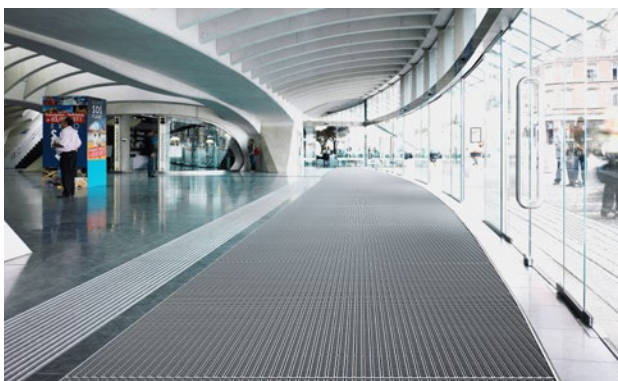
Street dust,  
hair, sand, ash,  
textile fibres,  
small leaves  
and twigs, etc.



R13 slip resis-  
tance as per  
DIN 51130



4 year war-  
ranty



# emco DIPLOMAT Original With cassette brush

## Model 517 CB

<b>Approx. height (mm)</b>	17
<b>Note on height</b>	The insert can actually be approx. 2 mm higher due to the brushes.
<b>Roll-over and drive-over capability:</b>	<p>Prams</p> <p>Sack-/hand truck</p> <p>Wheelchairs</p> <p>Light shopping trolleys</p> <p>hand trolleys</p>
<b>Note on ability to withstand rolling traffic and drive-over capability</b>	Please note: the bristles in the cassette brush can lose their resilience if they are frequently overrolled.
<b>Standard profile clearance approx. (mm)</b>	5 mm, rubber spacers
<b>Revolving door drives</b>	Our mats with a profile spacing of 3mm in accordance with DIN EN 16005 are available for revolving door drives.
<b>Connection</b>	Thanks to plastic-coated steel cable
<b>Profile width (mm)</b>	27.5
<b>Weight (kg/m<sup>2</sup>)</b>	14.1
<b>Mat division as per factory standards</b>	From a profile length of 3000 mm or a maximum mat weight of 30 kg. For profile lengths above 2300 mm, a surcharge is applicable. Mat divisions/splits possible at customer's request.
<b>Support chassis</b>	Made using aluminium with sound absorbing insulation on the underside
<b>Support chassis colour</b>	Anodised colours for an additional charge: EV3 gold, C33 mid-bronze, C35 black or C31 stainless steel
<b>Tread surface</b>	Recessed, robust, weather-proof cassette sections, equipped with brush bundles arranged parallel to one another. Actual mat height: + 1 to 2 mm.
<b>Slip resistance</b>	R 13 slip resistance as per DIN 51130
<b>Flammability</b>	Complete mat system (for bristle bundles in black) available on request (surcharge applicable) with fire classification Cfl-s1 according to EN 13501.

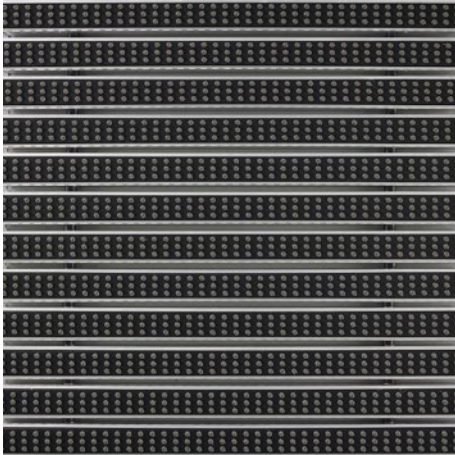
<b>Accessories</b>
emco installation frame 500: 500-20 AL Aluminium
emco installation frame 500: 500-20 CN Chrome-nickel steel (V2A)
emco ramp edge: A17 Aluminium
emco T-profile: T17
emco cover strip: C17 Chrome-nickel steel (V2A)
emco INOX®: LINEO 17 Chrome-nickel steel (V2A)
emco INOX®: QUADRO 17 Chrome-nickel steel (V2A)
emco dirt collection well: 5517AL Aluminium
emco dirt collection well: 5517CN Chrome-nickel steel (V2A)
Rubber underlay 1 mm: GU 1
Rubber underlay 3 mm: GU 3
Rubber underlay 5 mm: GU 5
Mat joining brackets: MV Supplied as standard with mats in several parts

<b>Suitable for:</b>
Retirement homes and Care-/Nursery Homes
medical practice
Offices and administrative buildings
Family home
Retail sector
Hotel
Kindergarten/Nursery
Apartment building
School
Sports hall

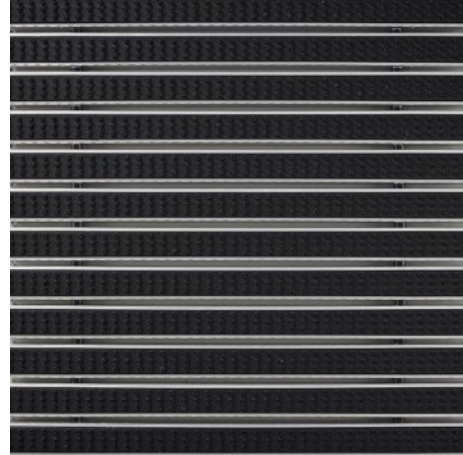
<b>Service and services</b>
Construction site advice
Dimensioning
Measured using laser measuring device on site.
Installation service
Fitting and installation service
Repairs
The product can be disposed of or recycled in an environmentally friendly way.

## Model 517 CB

### Colours



grey



black

Warranty conditions are available at:  
[www.emco-bau.com/en/warranty-conditions/](http://www.emco-bau.com/en/warranty-conditions/)

Subject to technical modifications/Colours may deviate due to production processes

emco Bautechnik GmbH · Breslauer Straße 34 - 38 · D-49808 Lingen (Ems)  
Germany · Phone: +49 (0) 591/9140-500 · Fax: +49 (0) 591/9140-852  
Email: [bau@emco.de](mailto:bau@emco.de) · [www.emco-bau.com](http://www.emco-bau.com)

