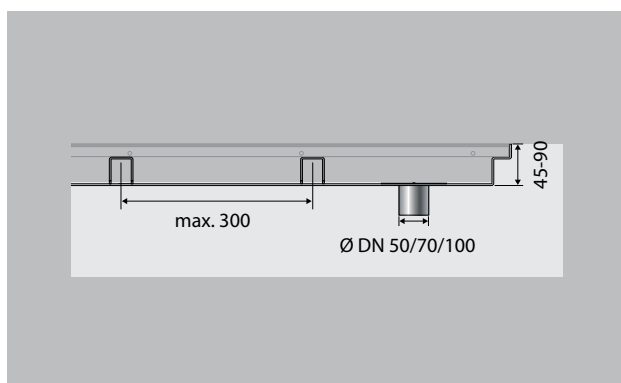
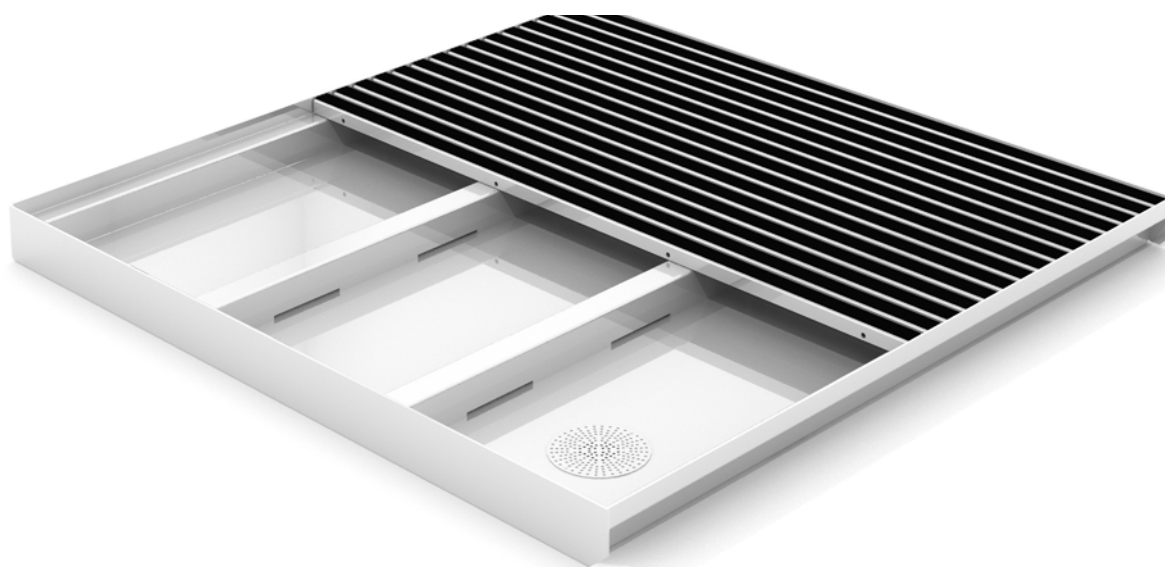


emco dirt collection well

Model 5022 CN



emco dirt collection wells are required to counter the increased dirt levels in heavily frequented entrance areas. Together with the emco MARSCHALL entrance mats (not when combined with a scraper bar or brush strip), they form an unbeatable unit in terms of effective cleansing and practicality.

Description

Dirt collection wells developed for emco MARSCHALL entrance mats for increased dirt uptake.



Outside
(Zone 1)



Indoor and
outdoor (co-
vered, Zone
1+2)



Street dust,
hair, sand,
ash, textile
fibres, small
leaves and
twigs, loose
chippings,
coarse sand,
small gravel
particles



Damp street
dust, damp
sand deposits,
dust, etc.



Model 5022 CN

Suitable for	MARSCHALL 22 Also available in large variants.
Approx. material thickness (mm)	2,0
Structure	A dirt collection well unit can consist of either a single well or multiple wells which may vary in width and depth, assembled in a modular fashion. From a visual and functional perspective, the entrance mat is manufactured either in the same size without a frame, or - more commonly - with a frame.
Special shapes	Dirt collection wells are also available in special shapes (such as rounded shapes) to ensure they are the perfect match for the building in question. Please contact us for further information.
Material	Stainless steel (V2A), bonded and watertight, interior completely smooth for easy cleaning.
Support profile	Stainless steel (V2A), max. spacing 300 mm with recesses for all-around water drainage. These profiles must run laterally at an angle of 90° beneath the profiles.

Additional data	The support for the entrance mat is integrated in the well.
Larger dimensions	Multiple well units are screwed together on site to make a single system.
Fittings	Available on request with drainage system and water drainage connection for multiple well units. We recommend one drainage system per well unit for multiple well units.
Drainage system	Complete drainage system in sizes DN 50, DN 70 or DN 100, including stainless steel strainer. Standard size for the drainage system is DN 50.
Well overall height	Standard: 70 mm Optional single-piece well: 45 90 mm Optional multi-piece wells: 45 90 mm Note: It is not possible to have a water drainage connection on multiple wells with a well height of less than 65 mm.
Max. well depth, one piece (mm)	1300

Subject to technical modifications