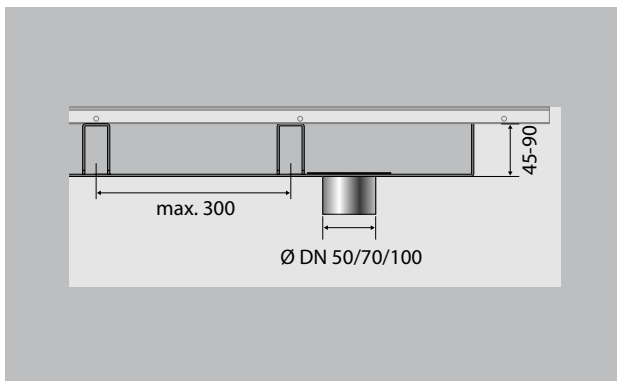
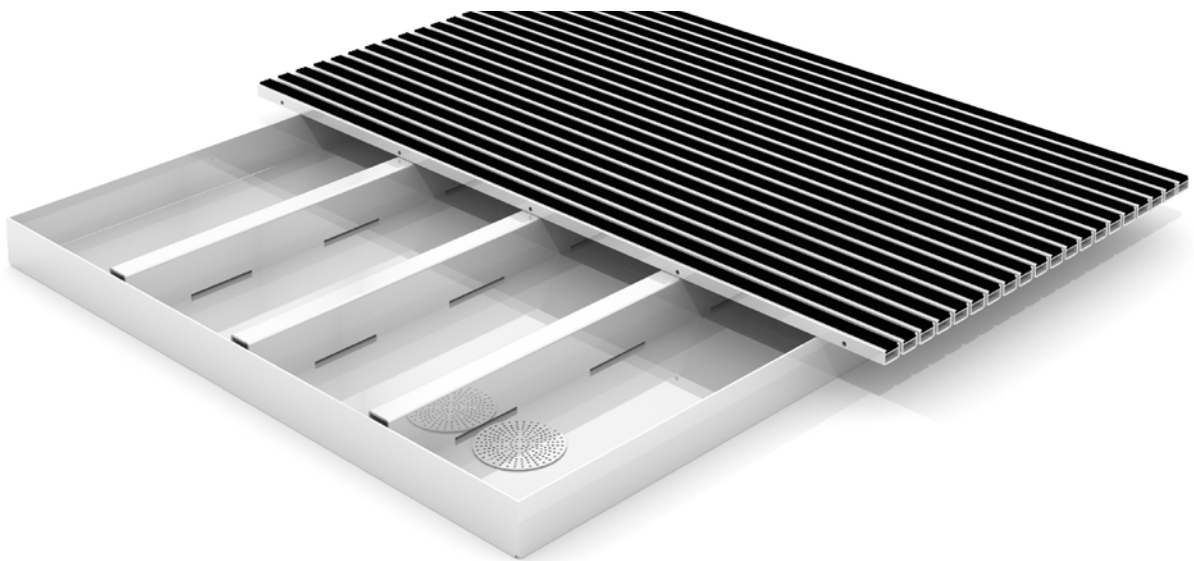


emco dirt collection well

Model 5000 AL



emco dirt collection wells are required to counter the increased dirt levels in heavily frequented entrance areas. Together with the emco MARSCHALL (not when combined with a scraper bar or brush strip) and emco PLAZA entrance mats, they form an unbeatable unit in terms of effective cleansing and practicality.

Description

Dirt collection wells developed for emco MARSCHALL and emco PLAZA entrance mats for increased dirt uptake.



Outside
(Zone 1)



Indoor and
outdoor (co-
vered, Zone
1+2)



Street dust,
hair, sand,
ash, textile
fibres, small
leaves and
twigs, loose
chippings,
coarse sand,
small gravel
particles



Damp street
dust, damp
sand deposits,
dust, etc.



Model 5000 AL

Weight (kg/m²)	14.2
Suitable for	MARSCHALL 17 MARSCHALL 22 PLAZA 42 Also available in large variants.
Approx. material thickness (mm)	3,0
Structure	A dirt collection well unit can be built up in modules consisting of either a single well or multiple wells which may vary in width and depth. From a visual and functional perspective, the entrance mat is commonly manufactured with a frame.
Freedom to create your own individual design	In spite of the rectangular shape of the wells, no limits are placed on your creativity when it comes to tailoring the mat to your own specifications. Architecturally inviting entrances demand a harmoniously integrated entrance mat. In these cases, the wells are often only used in areas where the greatest amounts of dirt occur, and the entrance mats far exceed what is required.
Material	Aluminium, bonded and waterproof, interior completely smooth for easy cleaning. Also available in stainless steel (V2A) on request.

Support profile	Aluminium, stainless steel (V2A), max. spacing 300 mm with recesses for all-around water drainage. These profiles must run laterally at an angle of 90° beneath the profiles.
Additional data	There is no surrounding edging frame for the entrance mat. A frame can be added to the entrance mat you have chosen if required.
Larger dimensions	Multiple well units are screwed together on site to make a single system.
Fittings	Available on request with drainage system and water drainage connection for multiple well units. We recommend one drainage system per well unit for multiple well units.
Drainage system	Complete drainage system in sizes DN 50, DN 70 or DN 100, including stainless steel strainer. Standard size for the drainage system is DN 50.
Well overall height	Standard: 70 mm Optional single-piece well: 45 90 mm Optional multi-piece wells: 45 90 mm
Max. well width, one piece (mm)	2800
Max. well depth, one piece (mm)	1300

Subject to technical modifications/Colours may deviate due to production processes