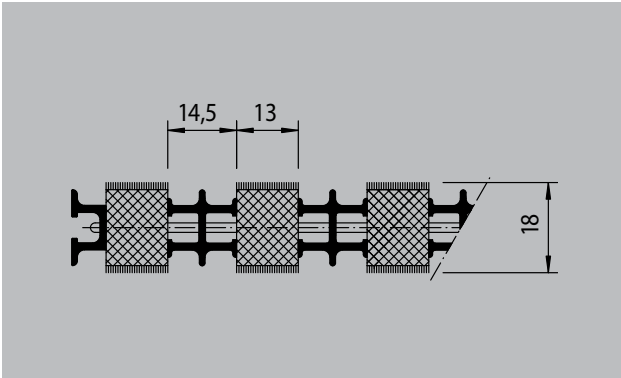
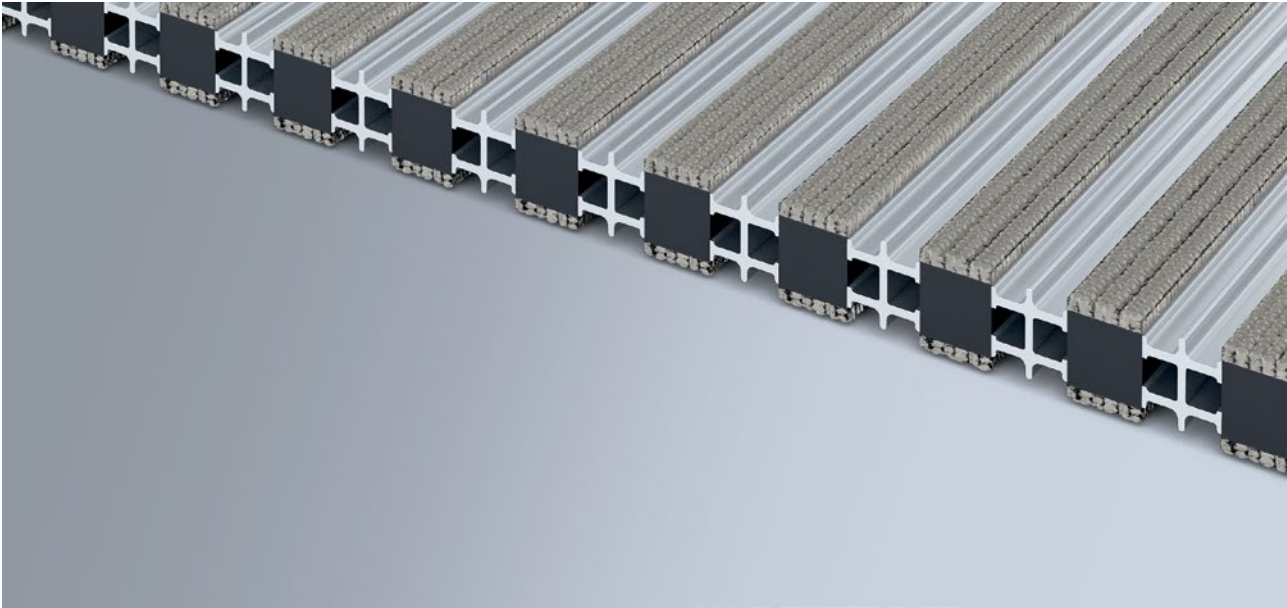


# Model 18 NF



- 1
  - 2
  - 3
- Indoor and outdoor (covered, Zone 1+2)

**Description**

An all-in-one, extremely hard-wearing and reversible entrance mat for laying on top of flooring. Customisable widths and walking depths available. Available in any geometric shape.



- Indoor and outdoor (covered, Zone 1+2)
- Street dust, hair, sand, ash, textile fibres, small leaves and twigs, etc.
- Extremely durable

## emco TWINGUARD with nylon flor (NF)

### Model 18 NF

<b>Approx. height (mm)</b>	18
<b>Roll-over and drive-over capability:</b>	Wheelchairs Prams Light shopping trolleys hand trolleys Cars pallet trucks
<b>Standard profile clearance approx. (mm)</b>	0 mm, closed system
<b>Connection</b>	High-strength fibres
<b>Weight (kg/m<sup>2</sup>)</b>	17,0
<b>Mat division as per factory standards</b>	from a profile length of 2000 mm, a mat walking depth of 800 mm or a maximum mat weight of 45 kg
<b>Separator profile</b>	Nylon-pile rubber
<b>Colour of Scraper profile</b>	Aluminium as standard. Anodised in EV3 gold, C33 mid-bronze, C35 black or C31 stainless steel for an additional charge

<b>Tread surface</b>	Robust strips of nylon-pile rubber (covered on both sides with nylon fibres) combined with aluminium scraping profiles. Alternate profiles are connected with a steel wire that finishes inside a hollow aluminium profile at both ends.
<b>Slip resistance</b>	Checked product: 18NF; slip-resistance R10 in accordance with DIN 51131
<b>Flammability</b>	Insert with fire classification Cfl-s1 according to EN 13501.

<b>Accessories</b>
emco installation frame 500: 500-20 AL Aluminium
emco installation frame 500: 500-20 CN Chrome-nickel steel (V2A)
emco T-profile: T17

<b>Service and services</b>
Construction site advice
Dimensioning

## Model 18 NF

### Colours



grey



black



Zebra

Subject to technical modifications/Colours may deviate due to production processes