



emco swimming pool gratings

Durable solution for  
safety and hygiene

**EMCO**



# Swimming pools in tip-top shape

In modern swimming pool construction, a high water level (deck level system) combined with overflow channel is the established practice. It offers indisputable advantages in terms of ease of access and hygiene.

The system imposes various requirements on the cover of the overflow channel:

- It must collect all the water that spills over the edge of the pool and offer maximum safety and hygiene.
- It must provide a pleasant surface to walk on, and the design should blend harmoniously with the pool layout as a whole.

All of this is provided by emco swimming pool grates, which have been used successfully in public and private swimming pools for over 45 years. Further advantages of emco swimming pool grates include the wide choice of materials and the stability, strength and durability these provide. Thanks to the range of high-quality plastics available as profile materials, emco swimming pool grates are fully recyclable.

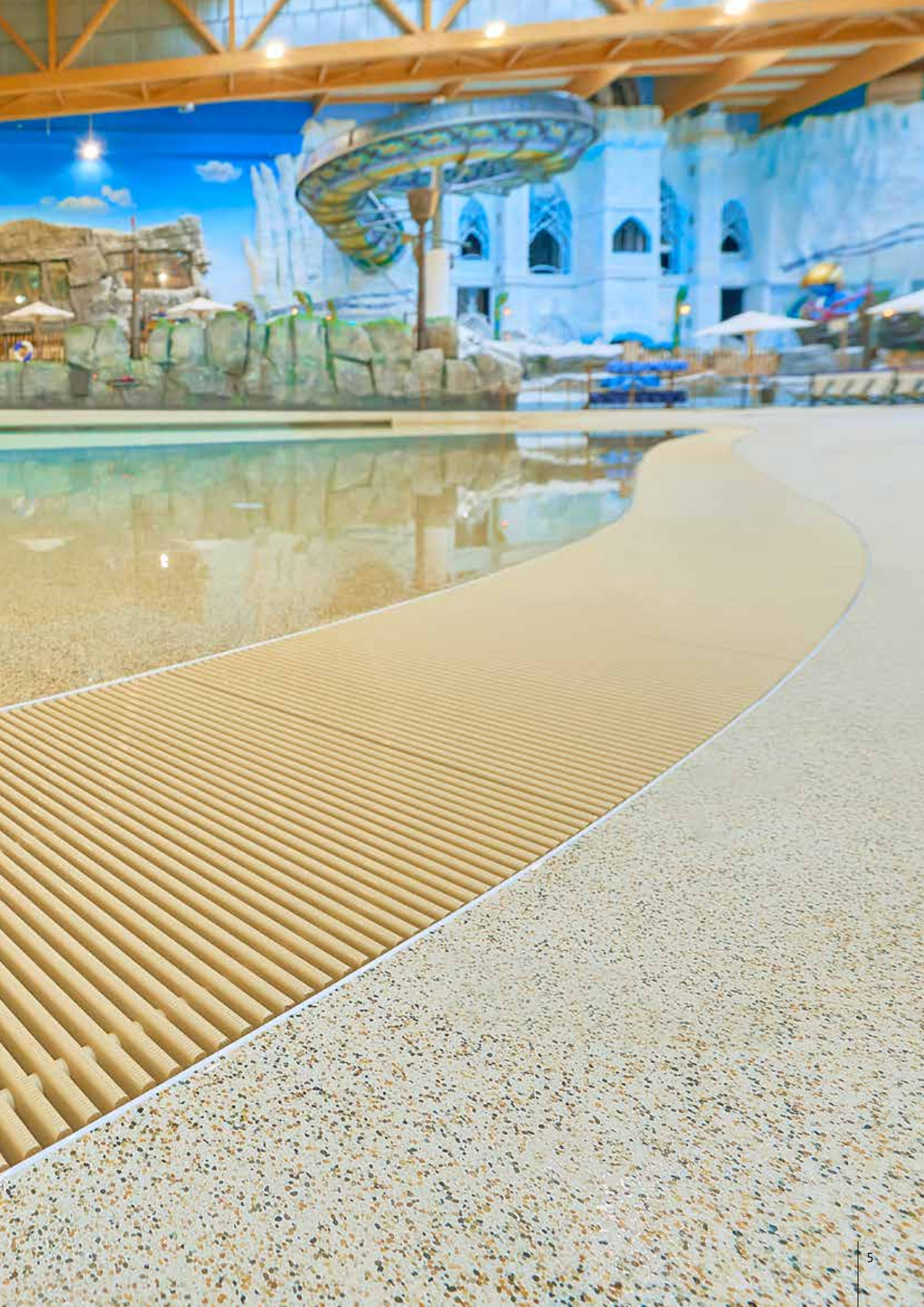


# Adaptable element

emco swimming pool grates are comfortable to walk on and hygienically impeccable. In terms of design, they offer a great deal of flexibility: they are available in rigid or roll-up version with grating bars that run diagonally or parallel to the pool edge. The grates are manufactured according to the individual customer or construction site specifications, to fit straight and curved pool edges and the different corner solutions. There are almost no limits to what can be designed.

emco swimming pool gratings are manufactured in white, beige, grey and yellow as standard, although virtually any special colour (based on a RAL card or tile sample) can be supplied on request.

The variety of grating designs available enable channel widths from 100 mm to 1000 mm to be bridged without the need for additional support for the gratings. To convince you even more that emco swimming pool gratings are the right choice for you, at the end of this brochure you will find an excerpt from our reference list demonstrating that among our satisfied customers we can count not only many local authorities, but also clinics, rehabilitation centres and swimming pool manufacturers.





# Success starts with safety

emco swimming pool gratings are resistant to ultraviolet light, chlorine, sea water and spa water, and are equipped with a safety profile seal which, depending on the model in question, meets the criteria of assessment grade B or C according to the German Institut der Säurefließner-Vereinigung (Research and Advisory Institute for Wall and Floor Coverings). The bar spacings of less than 8 mm also comply with the generally applicable pool construction guidelines.

**Overview of the assessment groups for floor slip resistance according to DIN EN 16165 testing criteria:**

## Assessment groups



### Group A: Slip angle $\geq 12^\circ$

- Barefoot areas (largely dry)
- Floors of pools for non-swimmers (0.80 to 1.35 m water depths)



### Group B: Slip angle $\geq 18^\circ$

- Barefoot areas, where these do not fall into Group A
- Shower areas, pool edges, disinfectant spray areas
- Bottoms of pools for nonswimmers, in zones with depths of  $< 0.80$  m, also in wave pools
- Paddling pools, elevating floors
- Steps and ladders leading into water and outside of it
- Seating steps and loungers



### Group C: Slip angle $\geq 24^\circ$

- Steps leading into water, where these do not fall into Group B
- Footbaths
- Inclined pool edge designs

---

## Safety bar spacings



### Gap size

- Gaps smaller than 8 mm to prevent fingers becoming trapped (in accordance with DIN EN 16582-1 and DIN EN 13451-1)

# We ensure your concept holds water

In sensitive fields such as swimming pool construction, it is the details that determine optimal functionality. Expert planning from the start and high-quality components create lasting safety, high comfort levels and a pleasant environment.

We support you through all your planning and construction stages – from detailed advice right through to laying and fitting the grates. And we give particular attention to critical work steps. When you are making your choices, we provide support with both samples and detailed product documentation. Additionally, all texts for invitation to tender are available on our website.

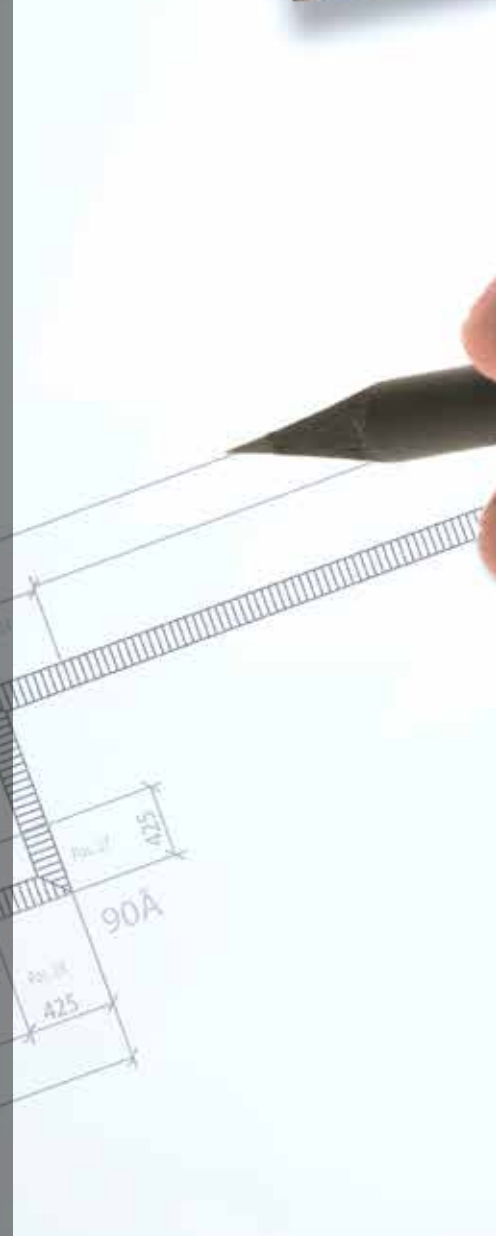
Should you need help, we can support you with any project thanks to our trained emco service representatives. They will take all the on-site measurements needed for production and when ready, complete the installation achieving the optimum result.

So that you can enjoy your grates for years to come, every consignment comes with cleaning and maintenance recommendations that explain how to handle the grates correctly and professionally.

- ✓ Specialist support from design to installation
- ✓ Original colour and material samples
- ✓ Fitting models
- ✓ Texts for invitation to tender online
- ✓ Services provided throughout Germany by trained staff
  - On-site measuring
  - Laying and fitting work
- ✓ Cleaning and maintenance recommendations

---

= **Optimum result**







emco swimming pool gratings

## Model 723

Swimming pool gratings running at right angles to the pool edge, in roll-up design featuring flexible PUR cord as connection element. Profile spacing in accordance with DIN EN 13451-1 and DIN EN 16582-1.

Rounded upper profile surface: model 723,  
flat upper profile surface: model 720.





# emco swimming pool gratings (running at right angles to the pool, roll up)

### Can be used in:

- Public and private swimming pools with overflow channels
- Whirlpools with overflow channels

### Features:

- Easy to use
- Excellent technical features
- Overflow channels can be cleaned easily
- Custom application options
- Freedom to create your own design thanks to our extensive range of special shapes

### Profiles:

All gratings are provided with a safety-profile seal which has been tested for non-slip properties by the German Institut der Säurefließner-Vereinigung (Research and Advisory Institute for Wall and Floor Coverings) and meets the criteria of classification C.

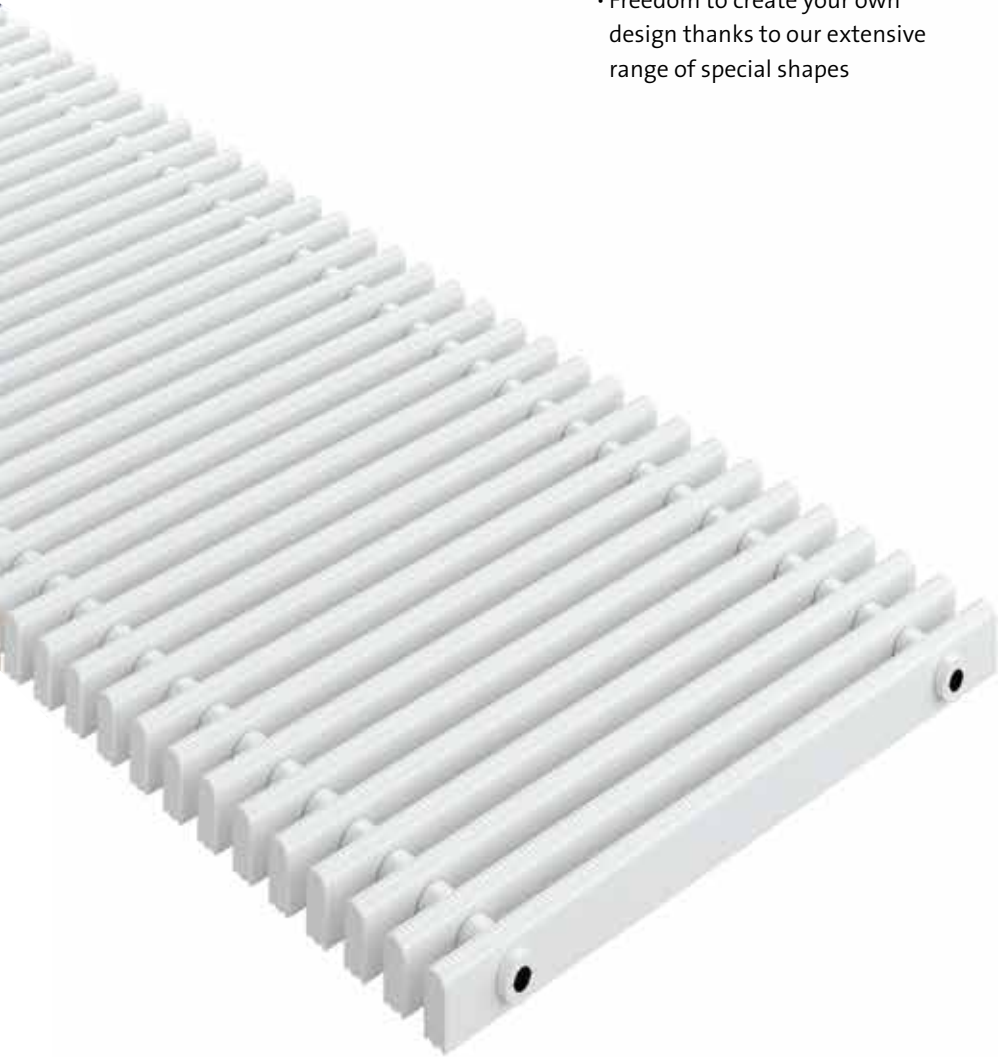
With model 723, channel widths of between 100 mm and 500 mm can be bridged without the need for additional support (and larger widths can also be dealt with by means of supports provided on site), while gratings measuring 22, 25, 27 and 35 mm in height are available.

All gratings in this model are manufactured in a roll-up format, but are also available in a rigid format on request. On ceramic whispering channels, this grating type can only be used in the rigid version (with plastic threaded rods, as a connecting element).

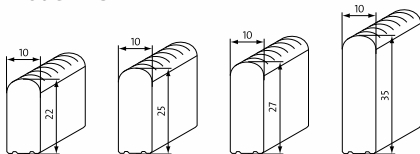
When it comes to the design of roll-up gratings, the sky's the limit. Besides radial versions, different types of corner designs (mitred corners, fan corners and rigid corners) can also be produced.

### Full details:

[www.emco-bau.com](http://www.emco-bau.com)



### Model 723



### Specifications:

Model **	Height (mm)	Grating width (mm)
723/22	22	100 - 300
723/25	25	100 - 360
723/27	27	100 - 380
723/35	35	100 - 500

\* For corner solutions and special shapes, s. p. 17

\*\* Also applies to type 720

### Standard colours:



white, similar to RAL 9010  
 grey, similar to RAL 7001  
 beige, similar to RAL 1001  
 yellow, similar to RAL 1018

Special colours: On request



# emco swimming pool gratings (running parallel to the pool edge, rigid)

### Profiles:

All gratings are provided with a safety-profile seal which has been tested for non-slip properties by the German Institut der Säurefließner-Vereinigung (Research and Advisory Institute for Wall and Floor Coverings) and meets the criteria of classification C.

In addition to straight profiles, radial-profiles can also be provided under certain circumstances. Both mitred and rigid versions of corners are available.\* emco 724 swimming pool gratings are available in widths ranging from 100 to 340 mm as standard: these do not require any additional supports. Longer widths can, however, also be produced with the aid of channel supports provided on site – so the possibilities in terms of design are virtually endless.

### Full details:

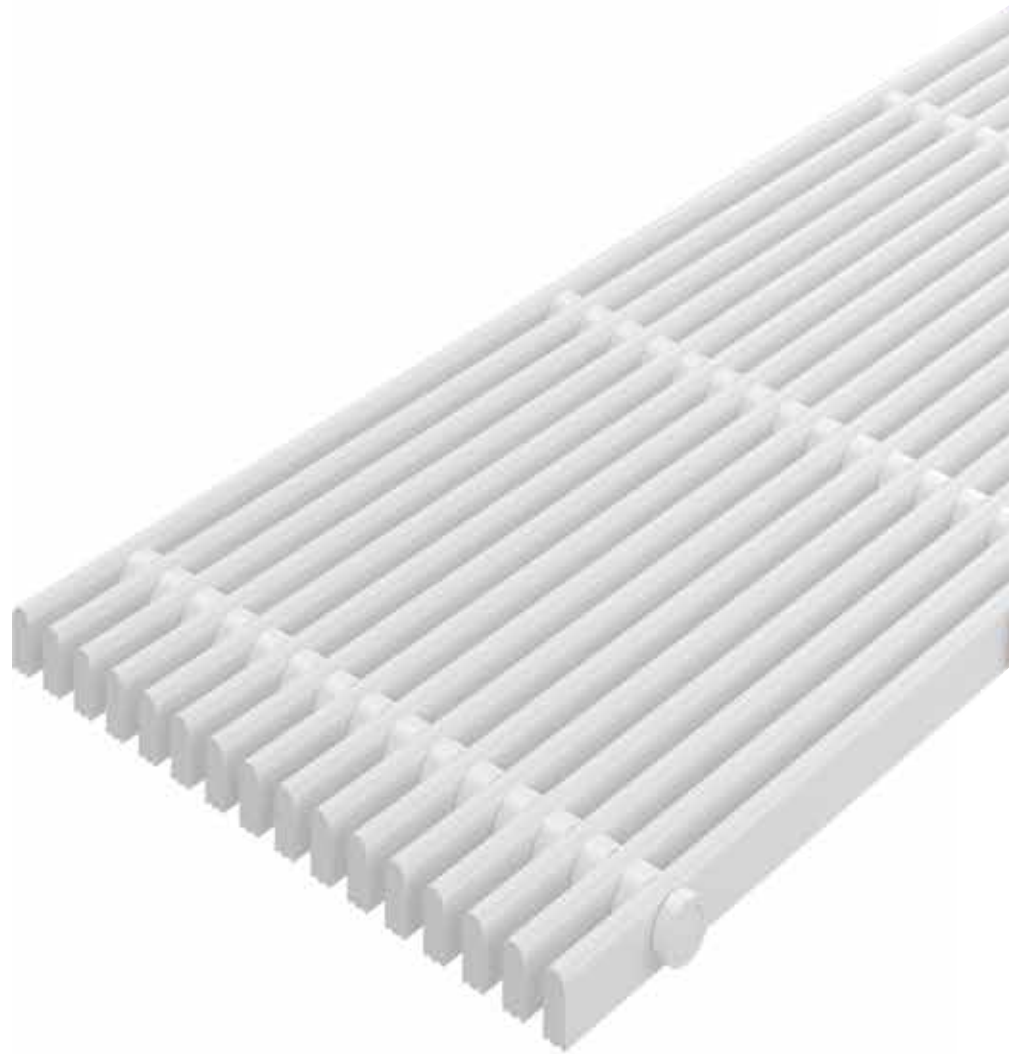
[www.emco-bau.com](http://www.emco-bau.com)

### Features:

- Excellent water drainage
- Excellent technical features
- Custom application options

### Can be used in:

- Public and private swimming pools with overflow channels
- Whirlpools with overflow channels



### Standard colours:



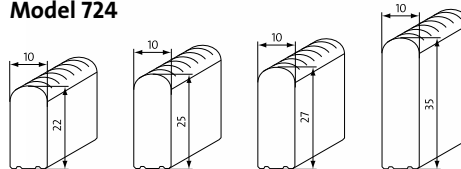
white, similar to RAL 9010    grey, similar to RAL 7001    beige, similar to RAL 1001    yellow, similar to RAL 1018

Special colours: On request

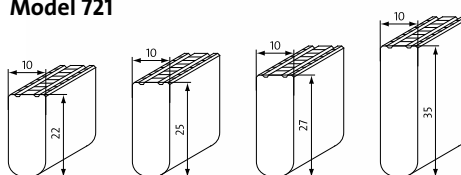
### Specifications:

Model**	Height (mm)	Grating width (mm)
724/22	22	100 - 300
724/25	25	100 - 340
724/27	27	100 - 340
724/35	35	100 - 340

### Model 724



### Model 721



\* For corner solutions and special shapes, s. p. 17

\*\*Also applies to type 721

emco swimming pool gratings

## Model 724

Swimming pool gratings running parallel to the pool edge, in rigid design (rounded upper profile surface: model 724; flat upper profile surface: model 721). Fibre-glass reinforced polyester pipes as connection elements. Profile spacing in accordance with DIN EN 13451-1 and DIN EN 16582-1.



emco swimming pool gratings

# Models 760 and 760 E

Swimming pool gratings running at rightangles to the pool edge, in rigid design. The maximum profile spacing is < 8 mm in accordance with DIN EN 13451-1 and DIN EN 16582-1.





# emco swimming pool gratings (running at right angles to the pool edge, rigid)

### Can be used in:

- Public and private swimming pools with overflow channels

### Features:

- Easy to use
- Value for money
- Custom application options

### Profiles:

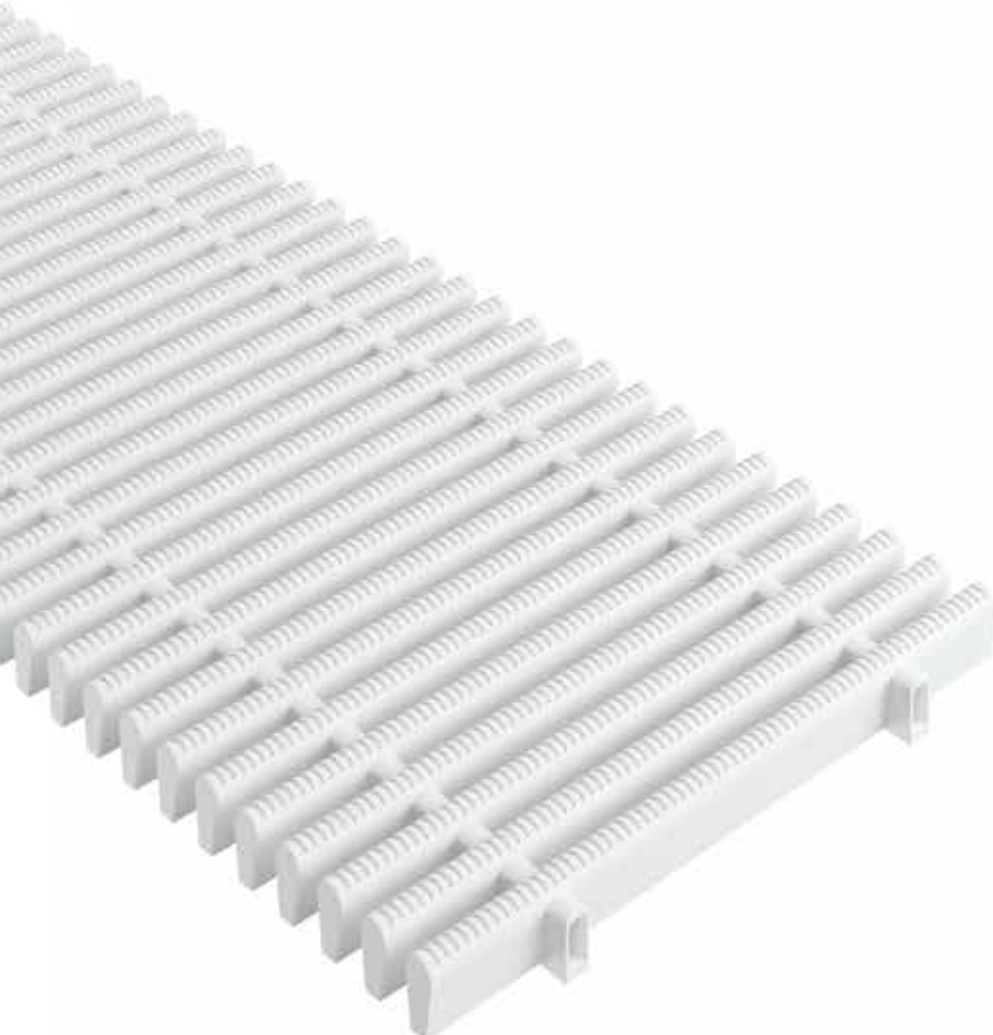
With model 760, three standard elements measuring 295 mm in length and made from solid Hostalen® are connected to 885 mm-long section pieces using a completely secure joint. Model 760 E is manufactured as a standard element with a length of 295 mm.

The gratings are provided with a safety profile seal which has been tested for non-slip properties by the German Institut der Säurefließner-Vereinigung (Research and Advisory Institute for Wall and Floor Coverings) and meets the criteria of classification C.

These gratings are suitable wherever stringent specifications have to be met in wet areas. They are produced in the standard widths of 200, 300 and 400 mm, but special widths ranging from 110 to 399 mm can also be provided on request. The grating height is 22 mm.

### Full details:

[www.emco-bau.com](http://www.emco-bau.com)



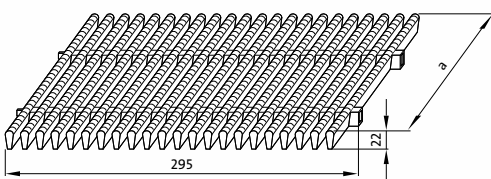
### Standard colours:



white, similar to RAL 9010    grey, similar to RAL 7001    beige, similar to RAL 1001    yellow, similar to RAL 1018

Special colours: On request

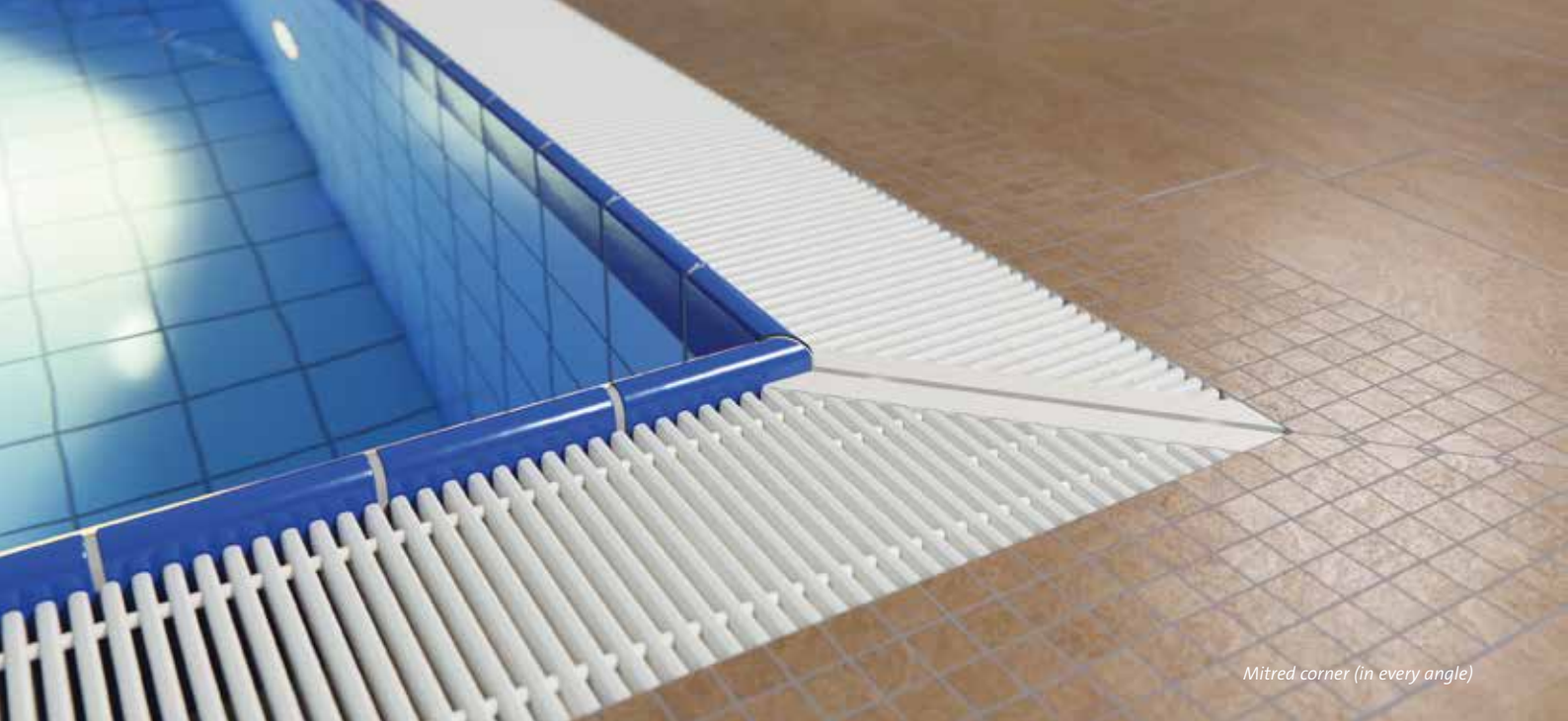
### Model 760 E



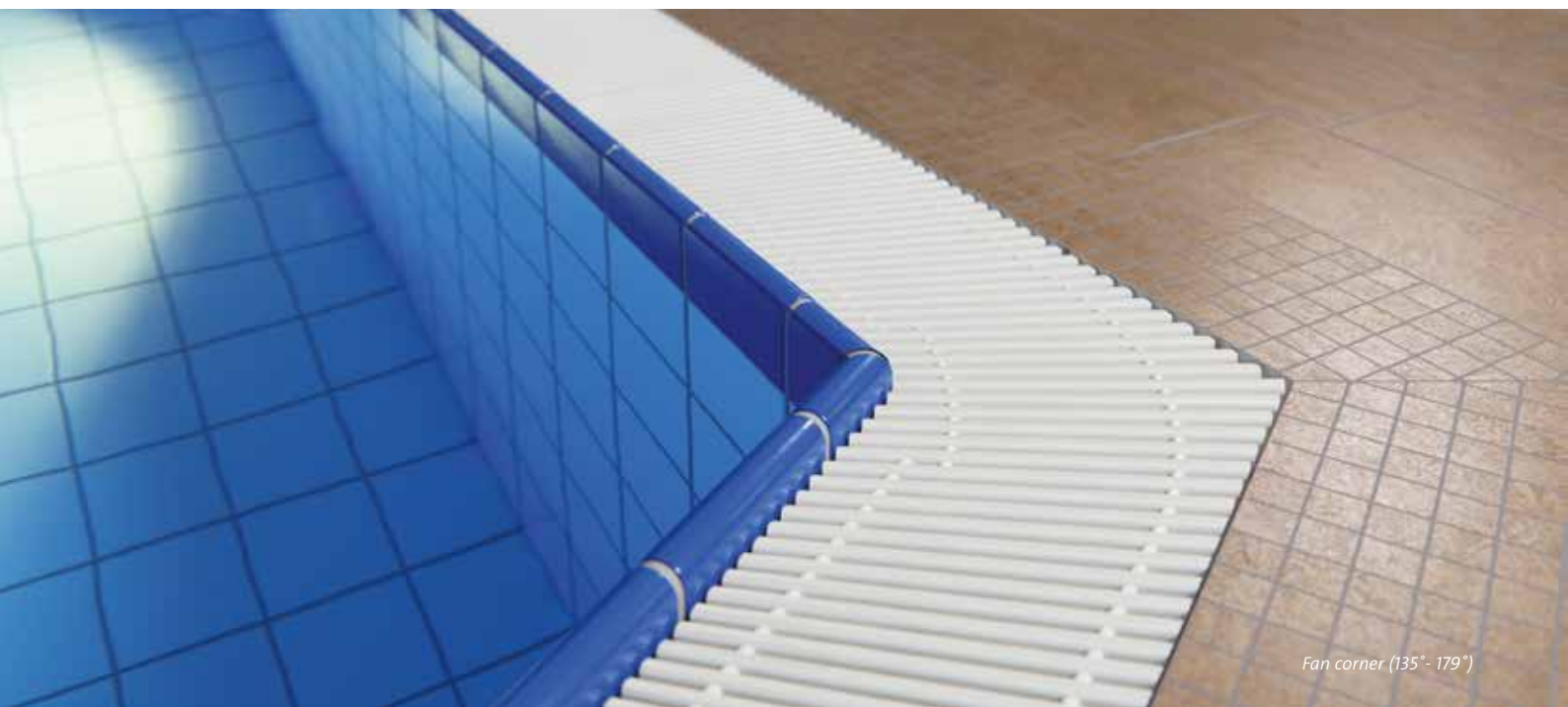
### Specifications:

Model	Height (mm)	Grating width (mm) Special widths (pre-cut part)	Grating width (mm) Standard widths		
			200	300	400
760 E	22	110 - 399	✓	✓	✓
760	22	110 - 399	✓	✓	✓

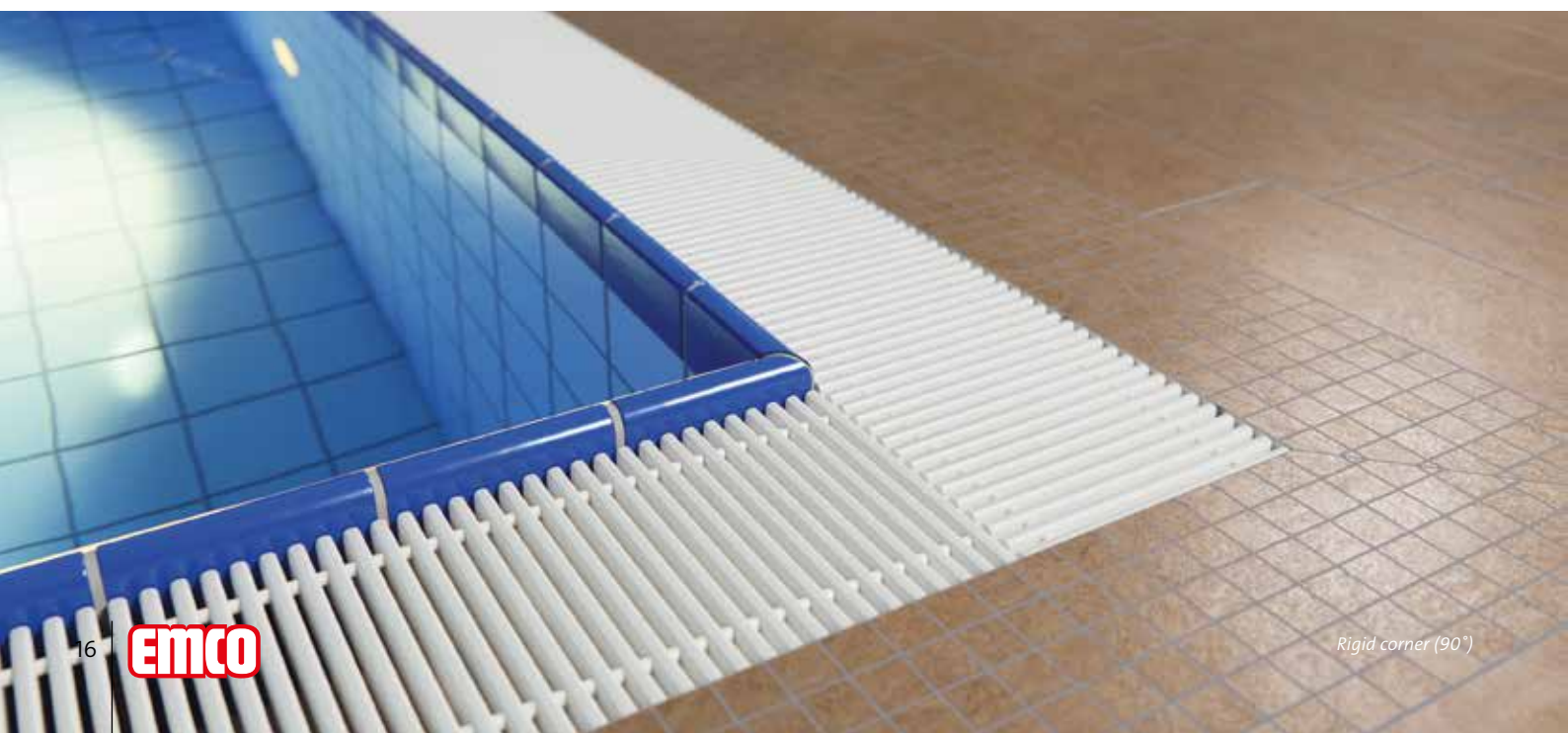
For corner solutions and special shapes, s. p. 17



*Mitred corner (in every angle)*



*Fan corner (135° - 179°)*

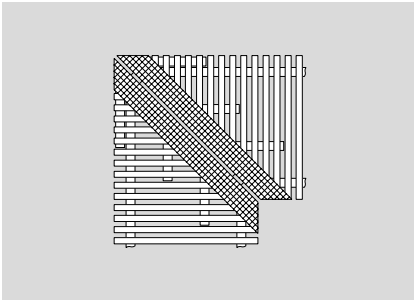


*Rigid corner (90°)*

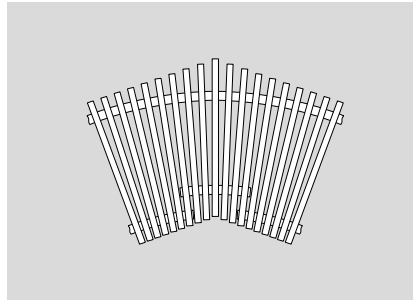


# emco corner solutions

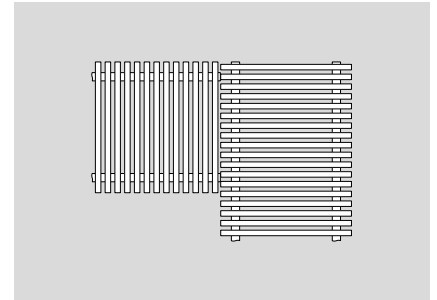
Mitred corner (in every angle)



Fan corner (135° - 179°)



Rigid corner (90°)



**Description:**

Mitred corners (in every angle), fan corners (135° - 179°) and rigid corners (90°) are available.

Please allow for longer delivery times in case where special colours are required.

**Corner designs for swimming pool gratings:**

Typ	723/720	724/721	760
Mitred corners	✓	✓	✓
Fan corners	✓	–	–
Rigid corners	✓	✓	✓



# emco swimming pool gratings – labels

## Description:

emco 723 (720), 724 (721) and 760 swimming pool gratings are also available with information signs.



These are blue with a textured (structured) surface into which white lettering is engraved. They are lowered into the grating surfaces and made flush with them using a milling process, and permanently attached to the grating.

## Material:

Plastic

## Background colour:

Blue

## Colour of letters:

White

## Height of lettering:

approx. 80 mm

## Thickness of sign:

3,2 mm

## Examples of lettering:



Sign size: 150 x 295 mm

(e.g. "WD 0,80 m", "WD 1,35 m" etc.)



Sign size: 150 x 590 mm

(e.g. "Non-swimmers", "Water depth 1,80 m" etc.)

## Examples of pictograms:



Pictogram "No diving"



Pictogram "Swimmers"



Pictogram "Non-swimmers"

Sign size: 150 x 150 mm



Sign size: 150 x 295 mm

Pictogram "Water depth"

## Color variant



Color variant at extra charge

- Background colour black with colour of letters white
- Background colour white with colour of letters black

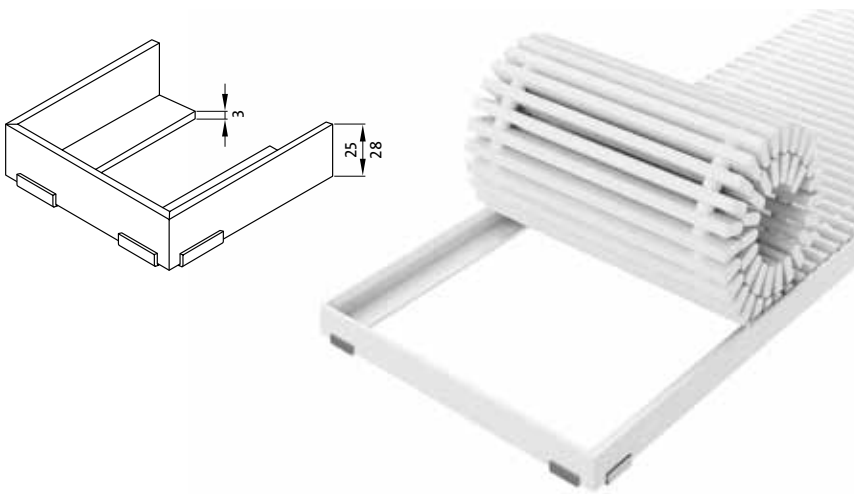
## Full details:

[www.emco-bau.com](http://www.emco-bau.com)



# emco installation frames und emco angled profiles

## Model 780



### Installation frames

#### Description:

emco installation frames (model 780), with a pre-fitted design and angled profile dimensions of 25 x 28 x 3 mm or 28 x 25 x 3 mm (model 780) are suitable for swimming pool gratings available with construction heights of 22, 25 mm.

#### Profiles:

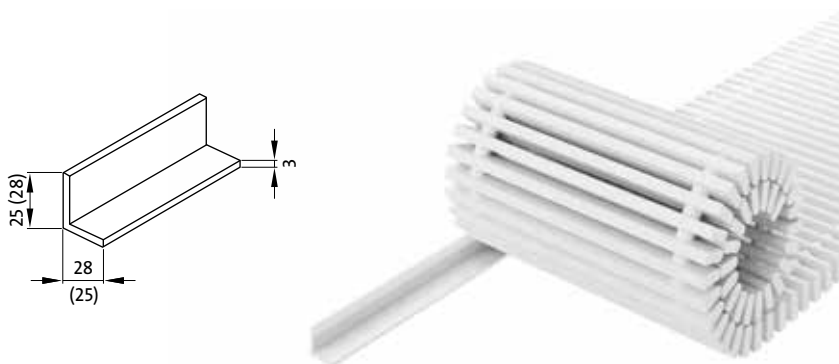
Polyester, white (model 780)

The wall anchors and spacer angles (also in stainless steel) are included in the scope of delivery. Radial profiles can not be provided.

Model	R profile dimensions	R width (mm)	Material	For swimming pool grating heights of
780	25 x 28 x 3 mm 28 x 25 x 3 mm	100 - 350 mm 351 - 800 mm	Polyester	22 mm 25 mm

#### Full details:

[www.emco-bau.com](http://www.emco-bau.com)



### Angled profiles

#### Description:

Similar to an installation frame but for one-sided laying (without face and spacer angles).

#### Full details:

[www.emco-bau.com](http://www.emco-bau.com)

Model	Angled profiles*	Material	For swimming pool grating heights of
780	25 x 28 x 3 mm 28 x 25 x 3 mm	Polyester	22 mm 25 mm

\*Suitable for installation at one side

# emco swimming pool gratings

(plastic insert which runs at right angles to the pool edge and onto which tiles can be applied)

## Can be used in:

- private swimming pools
- hotel pools

Not suitable for public swimming pools or pools with high levels of overflow water.

## Available grate geometry:

- Linear gratings
- Mitred corners

## Profile spacing:

The notches of the plastic insert represent the adhesion points for the tiles/natural stones.

The top side of the plastic insert is prepared in such a way that the maximum gap dimensions according to DIN EN 16582-1 and DIN EN 13451-1 can be observed by the tile/natural stone setters.

## Overflow channel requirements:

- uniform channel width and support height
- completely flat supporting surfaces for the grating (with no height offset)

The following also applies for curved patterns:

- both supporting surfaces must be at exactly the same height (no slopes permitted)
- minimum channel radius: 1,000 mm (smaller radii available on request)
- the pattern must have a constant radius

## Water drainage:

Water drainage is effected through several independent, parallel drainage slots. Due to the reduced free cross-section of the bonded plastic cassette, water may be carried over to the edge of the pool. This does not constitute grounds for complaint.

In the event of very high water accumulation, an emco swimming pool grate as shown on Pages 10-15 should be planned from the outset.

## Full details:

[www.emco-bau.com](http://www.emco-bau.com)

## Features:

- tailor-made plastic insert
- load-carrying capacity suitable for normal personal traffic in swimming pools
- compatible with most overflow channels (with level, even and strong support on both sides)
- also suitable for retrofitting

## Standard colours:

Jet black, similar to RAL 9005

On request available in white, similar to RAL 9010

## Specifications:

Type	Height* (mm)	Grating width (mm)	Segment length (mm)
<b>723 DESIGN</b>	approx. 22-32	150 - 300	max. 600

\* incl. 8mm thick tile strips

Note: Construction heights of less than 28 mm are obtained through cut-outs on both sides under the plastic insert.



## Support chassis/plastic insert:

The full profiles with cut-outs on the top are connected using plastic threaded rods and interim spacers to form rigid plastic inserts. The inserts are ready for the customer to bond tile or natural stone strips onto them.

## General information:

The customer is responsible for ensuring that tiles or natural stones are supplied, cut, chamfered, as well as bonded according to emco assembly instructions by specialist stone-laying companies.

## Requirements to be met by the tiles:

- approved for wet, barefoot areas, tested for non-slip properties
- as standard, the type 723 DESIGN is designed for a tile thickness of 8 mm
- emco must be notified of other tile thicknesses before the start of production (the minimum tile thickness is 7 mm)
- manufacturer-independent tile selection possible

## Requirements to be met by the natural stone:

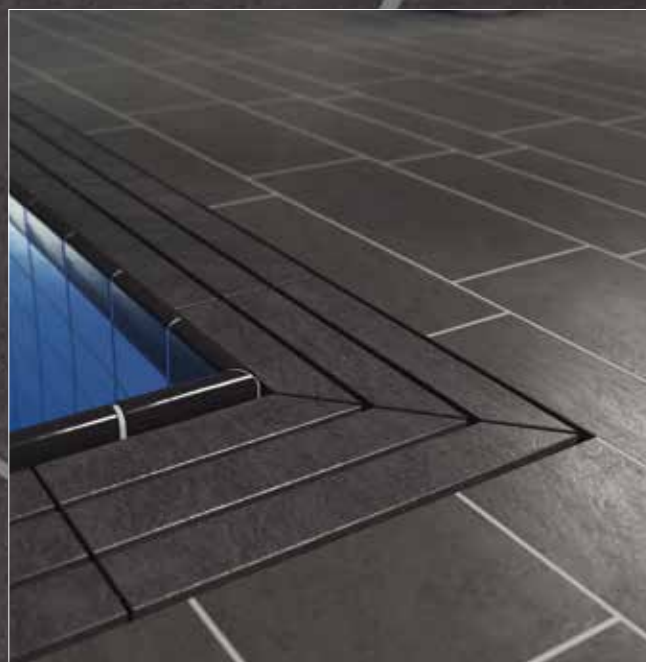
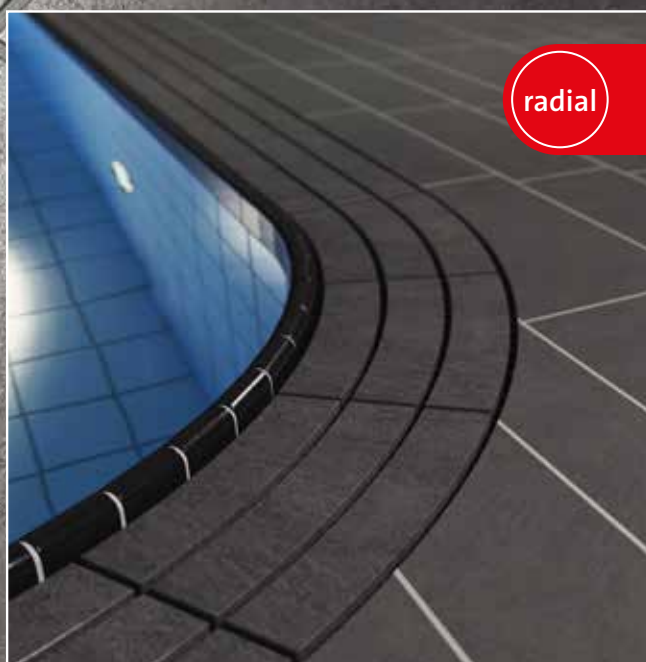
- in general, the selection of a natural stone suitable for use in swimming pools must be made by the specialist planner or natural stone specialist, taking account of the required non-slip properties as well as water quality and water treatment
- the material thickness of natural stone results in different construction heights than when tiles are used
- in general, natural stone should not be used with salty bathing water

emco swimming pool gratings

## Model 723 DESIGN

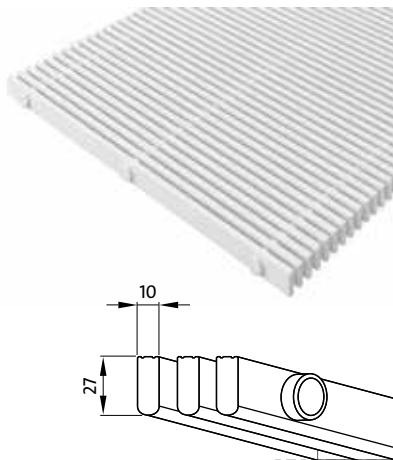
Cover of overflow channels in private swimming pools and hotel pools in which the main focus is on the visually harmonious design of the swimming pool grate with the edge of the pool.

The rigid plastic insert type 723 DESIGN is delivered; the customer can bond tile or natural stone strips onto this.



# emco gratings in rigid design

## Model 771



### Description:

Floor gratings in rigid design with construction heights from 27 to 45 mm (special heights also available on request), designed for fully supported installation (model 771), water drainage on all sides (model 772), and for self-supporting installation up to a max. width of 1000 mm (model 775).

### Can be used in:

- Public shower areas
- Barrier-free shower areas
- Footbaths

### Standard colours:



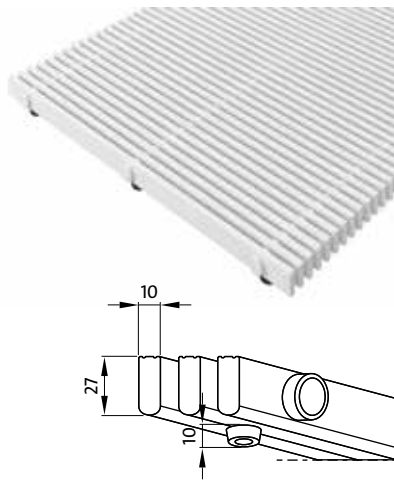
white, similar to RAL 9010  
 grey, similar to RAL 7001 (not for type 775)  
 beige, similar to RAL 1001 (not for type 775)  
 yellow, similar to RAL 1018 (not for type 775)

Special colours: On request

### Specifications:

Model	Construction height (mm)	Width up to (mm)	Comment
771	27	Any	Fully supported
772	27 + 10	Any	Water drainage
775	45	max. 1000	Self-supporting (GFK profile)

## Model 772

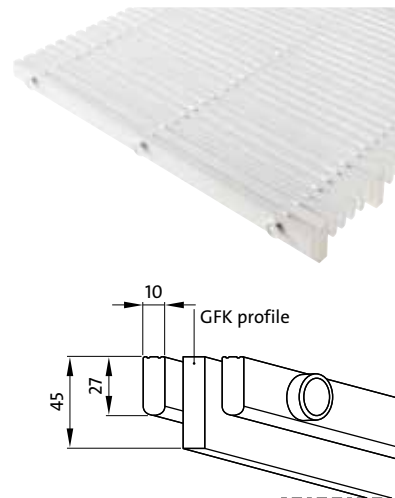


### Features:

- Aesthetically pleasing
- Good water drainage
- Good non-slip properties
- Corrosion-free
- Resistant to chlorine, sea water and spa water

These gratings meet the requirements placed on them in terms of safety, stability and sound workmanship as a matter of course. Their high specific weight prevents them from floating in water. In addition to rectangular gratings, we can provide you with virtually any special shape, such as circular or multisided gratings. (GFK profiles for model 775 have a spacing of 250 mm; profiles are only available in white.)

## Model 775



### Profiles:

Full profiles made from high-quality, highly impact-resistant plastic featuring UV absorbency. Upper surface of gratings equipped with a safety profile seal (SPS).

Fibre-glass reinforced polyester pipes as connection elements; profile spacing in accordance with DIN EN 13451-1 and DIN EN 16582-1.

### Full details:

[www.emco-bau.com](http://www.emco-bau.com)



# emco hygiene mats

## Description:

emco hygiene mats have stood the test of decades of use in all types of wet area which present a risk of slipping and infection, proving themselves to be an ideal solution for, in particular, public swimming pools – where the large number of visitors requires particular emphasis to be placed on accident prevention and hygiene – but also for private swimming pools and saunas. emco hygiene mats can easily be incorporated into the design of the facilities in question. (Not recommended for precise laying in depressions in the ground). They are available in the tried-and-tested standard widths of 600, 800 and 1000 mm, but other widths, up to a maximum of 2000 mm (model 600) and 1200 mm (model 601), can also be produced.

## Material:

Only high-quality plastic is used in the production of these mats. This material guarantees high resistance to wear, a high level of durability and, thanks to its non-porous, closed surfaces, outstanding hygiene levels. The temperature range for emco hygiene mats is 0–60°C.

## Attention:

Hygiene mats are only suitable for installation in areas exposed to water!

## Full details:

[www.emco-bau.com](http://www.emco-bau.com)

## Can be used in:

1. Public facilities
  - Indoor and outdoor pools
  - Adventure pools and thermal baths
  - Sports centres
  - Schools
  - Saunas
  - Rehabilitation clinics and hospitals
  - Hotels
  - Shower facilities
2. Industry and business
  - Dental and chemical laboratories
  - Restaurants and catering facilities
  - Fitness studios
  - Solariums
3. Shipping
  - Passageways on boats, etc.
4. Households
  - Swimming pools
  - Saunas
  - Showers (bathrooms)

*emco hygiene mats are not available in Switzerland.*





# Model 600

The upper bars on model 600 are made from profiled, impact-resistant hard plastic, while the lower bars are made from soft black plastic that is permanently bonded in place.



### Features:

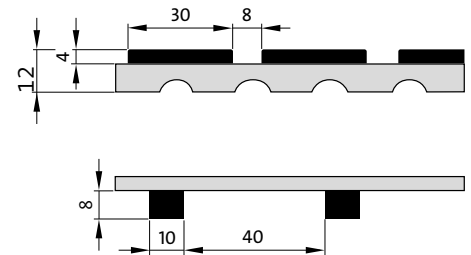
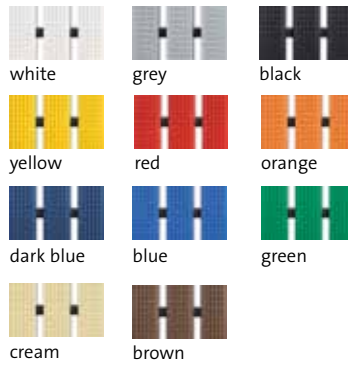
- Aesthetically pleasing
- Good water drainage
- Excellent non-slip properties, with classification C
- Corrosion-free
- Resistant to chlorine, sea water and spa water
- Maximum hygiene
- Prevents athlete's foot
- Can be rolled up
- Water drainage on all sides
- Wide choice of colours

### Specifications:

Model	Height (mm)	Standard widths (mm)	Pre-cut part (mm)
600	12	600/800/1000	max. 2000

Weight per m<sup>2</sup> (for widths up to 2 m and lengths up to 25 m): approx. 6 kg/m<sup>2</sup>

### Colours:



emco hygiene mats are not available in Switzerland.







# Model 601

Both the upper and lower bars on model 601 are made from profiled soft plastic, providing an extremely pleasant surface to walk on.

### Features:

- With water drainage on all sides
- UV-resistant
- Also suitable for outdoor areas
- Excellent non-slip properties thanks to classification C in accordance with DIN 51097
- Prevents both bacteria and fungigrowing thanks to antibacterial and fungicidal treatment
- Resistant to chlorine, sea water and spa water
- Corrosion-free
- Can be rolled up

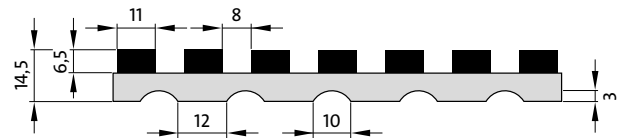


### Specifications:

Model	Height (mm)	Standard widths (mm)	Pre-cut part (mm)
601	14,5	600/800/1000	max. 1200

Weight per m<sup>2</sup> (for widths up to 1.2 m and lengths up to 15 m): approx. 7 kg/m<sup>2</sup>

### Colours:



emco hygiene mats are not available in Switzerland.





## Cleaning and maintenance instructions

### Cleaning and maintenance instructions

You can rely on the experience emco has gained from more than 45 years of swimming pool grating manufacturing and the use of top-quality materials, for an excellent branded product that looks great and is available in a number of designs.

### General information about emco swimming pool gratings

All of the components of emco swimming pool gratings are made from weather-resistant and ozone-resistant plastic; they are also resistant to chlorine, salt water and spa water. The swimming pool gratings are tough and feature a high level of resistance to wear and excellent non-slip properties, as well as resistance to chemicals.

### emco swimming pool gratings – Cleaning and maintenance

To ensure that emco swimming pool gratings have a long service life they must be properly maintained and cleaned at regular intervals. The gratings should be cleaned once or twice per week (more frequently in thermal and salt-water spas, mineral spas and sulphur baths) in compliance with the requirements of standard DIN 19643 and the fact sheets issued by the Deutsche Gesellschaft für das Badewesen (the German bathing association).

We recommend the use of standard neutral and slightly alkaline plastic cleaning products only to clean emco swimming pool gratings.\* The amount of cleaner to use and the reaction time can be found in the relevant manufacturer's information and must be adhered to. In all cases, any cleaning agent residue must be rinsed off with plenty of clean water (high-pressure cleaners can also be used up to 50 bar, with a maximum water temperature of 65°C and at a distance of at least 30 cm or so from the grating). The use of unsuitable cleaners or dosing in incorrect quantities, allowing the cleaner to re-

act for too long or rinsing with an inadequate amount of clean water can cause the material to become brittle, porous or possibly discoloured.

### Type 723 DESIGN

If tiles or natural stone are bonded onto the emco swimming pool grate type 723 DESIGN, special maintenance and cleaning recommendations apply; these are enclosed with each shipment. We should be pleased to send them to you on request.

The chemical and physical resistance of the type 723 DESIGN swimming pool grate is influenced to a large extent by the chosen tiles or natural stone. Please observe the information provided by the tile and natural stone supplier.

### emco hygiene mats

The cleaning and maintenance instructions for swimming pool gratings apply equally to the cleaning and maintenance of model 600 and 601 hygiene mats. However, high-pressure cleaners should only be used for short periods on model 601 mats due to the risk of damage.

### During the winter season

Outside the bathing season, the swimming pool gratings (if they are being used in open-air swimming pools) should be put into storage and covered with a suitable film to prevent unnecessary damage and soiling.

### emco installation frames – Cleaning and maintenance

*Stainless steel installation frame (V4A, material no. 1.4404):*

Cleaning agents containing hydrochloric or acetic acid must not be used on or in the vicinity of stainless frames. Phosphoric and citric acid-based cleaning agents\* have proven to be effective. Dirt particles may become deposited on stainless steel frames that are not constantly in contact with swimming pool water due to repeated evaporation of the swimming pool water.

Without regular cleaning at least once a week (in compliance with DIN 19643 and the fact sheets issued by the Deutsche Gesellschaft für das Badewesen – the German bathing association), this can lead to pitting corrosion, which becomes visible in the form of brown specks of rust.

*Installation frames made from fibre-glass reinforced polyester:* Please consider the cleaning and maintenance instructions for emco swimming pool gratings.

### \* Note about cleaning agents:

Please only use cleaning agents which appear in the list of approved cleaning agents for ceramic surfaces in swimming pools (RK list). The cleaning agent manufacturer's instructions concerning usage and quantity must be followed exactly.

### emco swimming pool gratings service

We recommend you take advantage of the emco advice, dimensioning and installation service. The experience we have gained from more than 45 years of swimming pool grating production has enabled us to build up a level of expertise that ensures success right from the start.

The benefits are obvious:

- You can be sure of the best possible result right from the start
- No expensive and time-consuming changes
- Expert solutions to individual problems
- Rapid response from a service network covering the whole of Germany

**We do not accept liability for damage caused by failure to follow these cleaning and maintenance instructions or incorrect use of the emco products.**

**All swimming pool gratings are not approved for use in/on inflow openings in swimming pools.**

# Chemical and physical resistance

## Chemical resistance of swimming pool gratings, floor gratings and hygiene mats:

Models	720, 721, 723, 724, 771, 772, 775	760, 760 E	600, 601
Water	■ ■ ■ ■	■ ■ ■ ■	■ ■ ■ ■
Inorganic acids	■ ■ ■ ■	■ ■ ■ ■	■ ■ ■ ■
Weak acids	■ ■ ■ ■	■ ■ ■ ■	■ ■ ■ ■
Strong acids	■ ■	–	■ ■
Oxidising acids	–	–	■ ■
Hydrofluoric acid	■ ■	–	■ ■
Strong org. acids	■ ■ ■	■ ■ ■ ■	■ ■ ■
Weak bases	■ ■ ■ ■	■ ■ ■ ■	■ ■ ■ ■
Strong bases	■ ■ ■ ■	■ ■ ■ ■	■ ■
Aliphatic hydrocarbons	■ ■ ■ ■	■ ■ ■ ■	–
Chlorinated hydrocarbons	–	–	–
Low-strength alcohols	■ ■	■ ■ ■ ■	■ ■ ■ ■
Ester	■ ■ ■ ■	■ ■	■ ■ ■ ■
Ketone	–	■ ■ ■ ■	–
Ether	■ ■ ■ ■	■ ■	■ ■
Aromatic hydrocarbons	–	■	–
Benzine	■ ■ ■ ■	■	–
Mixed fuels	–	■	–
Mineral oil	■ ■ ■ ■	■ ■	■ ■
Greases, oils	■ ■ ■ ■	■ ■ ■	■ ■
Unsat. chlorin. hydrocarbons	–	–	–
Turpentine	–	–	–

■ ■ ■ ■ = resistant, ■ ■ ■ = generally sufficiently resistant, ■ ■ = partially resistant, ■ = mostly non-resistant, – = non-resistant

## Physical resistance of swimming pool gratings, floor gratings and hygiene mats:

Physical data	Testing method	Units	Value 723, 724 (760)
Density	DIN 53479 ISO R 823 ASTM D 1505	g/ml	1,43 (0,91)
Tensile strength	DIN 53455 ISO R 527 ASTM D 638	N/mm <sup>2</sup>	48 (34)
Yield strain	DIN 53455 ISO R 527 ASTM D 638	%	> 15 (> 7)
Vicat softening temperature	DIN 53460/B ISO R 306	°C	80 (90)
Elasticity modulus	DIN 53457 ISO R 306	N/mm <sup>2</sup>	2500 (1250)
Water absorption (100°C, 24 h.)	DIN 53471 ISO R 117	%	< 0,1 (0,1)
Impact strength	DIN 53453	KJ/m <sup>2</sup>	30 (7)
Indentation hardness	DIN 53456	N/mm <sup>2</sup>	65 (100)
Max. operating temperature		°C	106 (70)
Linear expansion coefficient		10 <sup>-4</sup> /K	0,7 (1,5)

## References Germany

Germany				
Swimming pool	Postal Code	Place		
Spreewald Therme	03096	Burg	Rheinbad Wesel	46487 Wesel
Stadtbad Pegau	04523	Pegau	Sternbuschbad Kleve	47533 Kleve
Freibad Böhlen	04564	Böhlen	Hallenbad Kinderhaus	48159 Münster
Freibad Geithain	04643	Geithain	Freizeitbad DÜB Dülmen	48249 Dülmen
Freibad Döbeln	04720	Döbeln	Freibad Linus	49808 Lingen
Erlebnisbad Saaleperle	06406	Bernburg an der Saale	Erftlagune Kerpen	50171 Kerpen
Freibad Treuen	08233	Treuen	Kombibad Köln Ossendorf	50827 Köln
Badelandschaft Albert-Bad	08645	Bad Elster	Freibad Grafenwerth	53604 Bad Honnef
Sommerbad Neukirchen	09221	Neukirchen	Westfalenbad	58097 Hagen
Sommerbad Neukölln	10965	Berlin	Freibad Ahlen	59229 Ahlen
Sportbad Britz	12359	Berlin	Börde Therme Bad Sassendorf	59505 Bad Sassendorf
Blu Sport- und Freizeitbad	14473	Potsdamm	Riedbad	60388 Frankfurt am Main
Steigenberger Grandhotel	17424	Seebad Heringsdorf	Freizeitzentrum Bad Homburg	61348 Bad Homburg
Grand Hotel Heiligendamm	18209	Heiligendamm	Thermalbad Aukammtal	65191 Wiesbaden
Ahoi Rügen	18586	Sellin	Center Parcs Bostalsee	66625 Nohfelden
Seehotel Binz	18609	Ostseebad Binz	Rehaklinik Saarschleife	66693 Mettlach
Prignitzer Badewelt	19322	Wittenberge	Vitalbad Pfälzer Bergland	66869 Kusel
Salztherme Salü	21335	Lüneburg	Freibad Rosental	70563 Stuttgart
Solemio Stade	21680	Stade	F3 Familien- und Freizeitbad	70734 Fellbach
Hallenbad Ohlsdorf	22337	Hamburg	Freibad Nürtingen	72622 Nürtingen
Bäderland Bondenwald	22459	Hamburg	Wellenfreibad Markwasen	72770 Reutlingen
ARRIBA-Erlebnisbad	22850	Norderstedt	Bud Spencer Bad	73527 Schwäbisch Gmünd
Badebucht Wedel	22880	Wedel	AQUAtoll	74172 Neckarsulm
A-ja Resort	23570	Lübeck/Travemünde	Albgaubad Ettlingen	76275 Ettlingen
Grömitzer Welle	23743	Grömitz	Freizeitbad Stegermatt	77652 Offenburg
Hörnbad	24143	Kiel	Kinzigtalbad Hallenbad	77756 Hausach
Bad am Stadtwald	24534	Neumünster	Rulantica - Europapark	77977 Rust
Schwimmzentrum Itzehoe	25524	Itzehoe	Aqualon Therme	79713 Bad Säckingen
Badehaus Norderney	26548	Norderney	Wellnesshotel Auerhahn	79859 Schluchsee
De Baalje Familien- und Wohlfühlbad	26603	Aurich	Ungererbad München	80805 München
Freibad Verwell	27283	Verden (Aller)	Westbad München	81241 München
Mare Frisicum	27498	Helgoland	Schwimmhalle Freiham	81249 München
Moor-Therme Bad Bederkesa	27624	Geestland	A-ja Resort	82467 Garmisch-Partenkirchen
Allwetterbad Osterholz-Scharmbeck	27711	Osterholz-Scharmbeck	Halenbad Geretsried	82538 Geretsried
Graf Therme	27753	Delmenhorst	A-ja Resort	83324 Ruhpolding
Soltau Therme	29614	Soltau	Ergomar	84030 Ergolding
Wasserwelt Langenhagen	30853	Langenhagen	Rottal-Therme	84364 Bad Birnbach
Freibad Jo-Wiese	31134	Hildesheim	Aquasun Kösching	85092 Kösching
Niedersächsisches Staatsbad	31812	Bad Pyrmont	Hallenbad Ismaning	85737 Ismaning
Schlosshotel Münchhausen	31855	Aerzen	Sommerbad Thaining	86943 Thaining
Sommerbad Minden	32423	Minden	Sportbad Friedrichshafen	88045 Friedrichshafen
Schwimmoper Paderborn	33102	Paderborn	Therme Lindau	88131 Lindau
Hallenbad Sennestadt	33689	Bielefeld	Center Parcs Allgäu	88299 Leutkirch
Freibad Schrenzerbad	35510	Butzbach	Hallen- und Freibad Pegnitztaue	90571 Schwaig bei Nürnberg
Hallenfreibad Salzgitter-Lebenstedt	38226	Salzgitter	Freibad Veitsbronn	90587 Veitsbronn
Schwimmhalle Overstedt	39130	Magdeburg	Fürthermare	90766 Fürth
Allwetterbad Flingern	40233	Düsseldorf	Freizeitanlage Bäckeröd	92726 Waidhaus
Freibad Mollbeck	45659	Recklinghausen	Wellnesshotel Jagdhof	94133 Röhrnbach
			Therme Obernsees	94490 Mistelgau
			Schwimmhalle Illmenau	98693 Illmenau
			Roland Matthes Schwimmhalle	99086 Erfurt
			Aquaplex Eisenach	99817 Eisenach

## References international

Switzerland	
Swimming pool	Place
Badi Ruswil	Ruswil
Aquabasilea	Pratteln
Fitness- Park National	Luzern
Gartenbad St. Jakob	Basel
Piscine de plein air	Porrentruy
Piscine du Lignon	Vernier
Schwimmbad Kerzers	Kerzers
Schwimmbad Flaach	Flaach
AquaParc	Le Bouveret
Gartenbad Reinach	Reinach
Hotel Sport	Klosters
Hotel Alpenresort	Zermatt

Austria	
Swimming pool	Place
Aqua Dome Therme Tirol	Längenfeld
Aqua Salza Wellness & Bad	Golling
Freibad Leobersdorf	Leobersdorf
Aqua Nova	Wiener Neustadt
Narzissen Vital Resort	Bad Auseee
Paracelsus Bad	Salzburg
Dolomitengolf Suites	Lavant
Hotel Via Salina	Nesselwängle
Wörgeler Wasserwelt	Wörgel
Saunaoase Ebelsberg	Linz

Netherlands	
Swimming pool	Place
Zwembad de Boetzelaer	Monster
Zwembad Valkenhuizen	Arnhem
Sportiom	's-Hertogenbosch
Zwembad de Kupe	Buitenpost
Zwembad in de Bende	Landgraaf
Zwembad Waalslag	Tiel
Het Sporthuis	Abcoude
Beach Resort	Nieuwvliet
Sportcomplex	Hellevoetsluis
De Kuil	Bodegraven

Belgium	
Swimming pool	Place
LAGO Aquabraine	Braine-l'Alleud
Sportoase De Lo	Heist-op-den-Berg
Begijntjesbad	Overijse
Bloesembad	Sint-Truiden
Jonfosse	Liège
Plopsaqua	Landen/Hannut
Zwembad Brigitte Becue	Oostende
LAGO Kortrijk Weide	Kortrijk
't Rosco	Ronse
Sportoase Zwem.Com	Oudenaarde

Luxembourg	
Swimming pool	Place
Piscine Olympique d'Coque	Luxembourg
Aquasud	Differdange

France	
Swimming pool	Place
Piscine de Dijon	Dijon
Piscine de Dole	Dole
Centre aquatique Aquapolis	Limoges
Piscine d'Argelès	Argelès
Piscine Molitor	Paris
Centre Aqualudique de Reims	Reims
Piscine des Murs à pêches	Montreuil
Complexe aquatique de Libourne	Libourne
Thalazur Saint-Jean-de-Luz	Saint-Jean-de-Luz
Piscine Elisabeth	Paris

Great Britain/UK	
York Sport Village	York
Hyatt Regency	Birmingham
Ramada Jarvis Hotel	South Crawley
Hilton Metropole Hotel	London
Total Fitness Health & Fitness Centres	landesweit

Spain	
Dorint Royal Golfresort	Camp de Mar
Hotel Palm Beach	Maspalomas

Finland	
Tampereen maauimala	Tampere
Kuntolaakson uimahalli	Kuopio

Denmark	
Vestamager svømmehal	Kastrup

Sweden	
Medley Tibblebadet	Spänga
Medley Tibblebadet	Täby
Tensta sim- och idrottshall	Spänga

Russia	
United Aircraft Corporation	Zhukovsky
Erholungsheim "Sankt-Petersburg"	Yalta
Fitnesszentrum "Zhemchuzhina"	Gigiryovo
Madison Park Villagio	Odintsovsky Rayon

Dubai	
Burj Al Arab	Dubai

Canada	
10th Street YMCA	Richmond
Churchill Meadows Recreation Centre	Mississauga

USA	
Life Time	Cypress, Oklahoma City, Burlington, Frontenac

Australia	
Eureka Tower	Melbourne

# Sales offices in Germany – Austria – Switzerland

**Deutschland (Zentrale)**  
emco Bautechnik GmbH  
Breslauer Str. 34 - 38  
49808 Lingen (Ems)  
Tel. (+49) 0591 9140-500  
Fax (+49) 0591 9140-852  
bau@emco.de

**1**  
**Gebietsverkaufsleiter**  
Thomas Lammers  
Mobil 0160 9690 1894  
t.lammers@emco.de

**2**  
**Gebietsverkaufsleiter**  
Thomas Kästner, Dipl.-Ing.  
Mobil 0171 3635490  
t.kaestner@emco.de

**3**  
**Vertriebsbüro Soblys**  
Mike Soblys  
Mobil 0171 4859029  
m.soblys@emco.de

**4**  
**Vertriebsbüro Soblys**  
Benjamin Tigges  
Mobil 0171 4846417  
b.tigges@emco.de

**5**  
**Gebietsverkaufsleiter**  
Maik Steller, Ing.  
Mobil 0171 3635649  
m.steller@emco.de

**6**  
**Gebietsverkaufsleiter**  
Mauro Osmieri  
Mobil 0160 5523077  
m.osmieri@emco.de

**7**  
**Gebietsverkaufsleiter**  
Rainer Pluschkat  
Mobil 0170 4547795  
r.pluschkat@emco.de

**8**  
**Gebietsverkaufsleiter**  
Sven Laß  
Mobil 0171 8936427  
s.lass@emco.de

**9**  
**Gebietsverkaufsleiter**  
Jan-Steven Kiesewetter  
Mobil 0152 53040540  
j.kiesewetter@emco.de

**10**  
**Gebietsverkaufsleiter**  
Torsten Knorr  
Mobil 0152 09357806  
t.knorr@emco.de

**11**  
**Gebietsverkaufsleiter**  
Jörg Möllenkamp  
Mobil 0170 4590707  
j.moellenkamp@emco.de

**12**  
**Gebietsverkaufsleiter**  
Andreas Funk  
Mobil 0151 29269994  
a.funk@emco.de

**13**  
**Vertriebsbüro Ochs**  
Ralf Hofmann  
Tel. 0911 54447 11  
r.hofmann@emco.de

**14**  
**Gebietsverkaufsleiter**  
Michael Tyroller  
Mobil 0151 17451251  
m.tyroller@emco.de

**15**  
**Gebietsverkaufsleiter**  
Dieter Vogt  
Mobil 0173 3000508  
d.vogt@emco.de

**16**  
**Gebietsverkaufsleiter**  
Silas Seifferth  
Mobil 0173 1684433  
silas.seifferth@emco.de

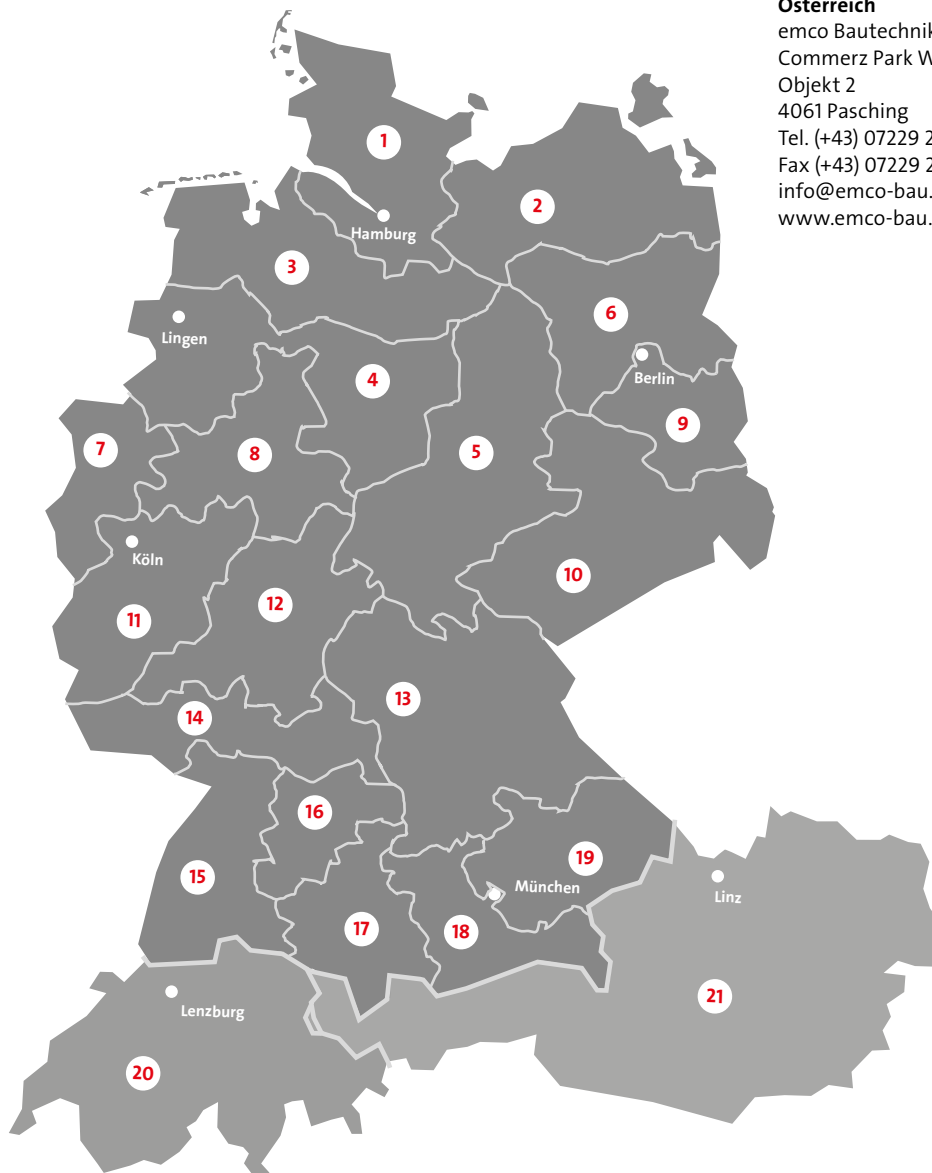
**17**  
**Gebietsverkaufsleiter**  
Alfred Karl  
Mobil 0175 5778195  
a.karl@emco.de

**18**  
**Vertriebsbüro Franke**  
Fiona Niederhofer  
Tel. 089 327082 48  
f.niederhofer@emco.de

**19**  
**Vertriebsbüro Franke**  
Dietmar Großer  
Tel. 089 327082 52  
d.grosser@emco.de

**20**  
**Schweiz**  
emco Schweiz AG  
Bahnhofstr. 5  
5600 Lenzburg / CH  
Tel. (+41) 044 500 35 50  
Fax (+41) 044 500 35 59  
info@emco-schweiz.ch  
www.emco-bau.com

**21**  
**Österreich**  
emco Bautechnik Ges.m.b.H.  
Commerz Park West 1  
Objekt 2  
4061 Pasching  
Tel. (+43) 07229 22802  
Fax (+43) 07229 22802 12  
info@emco-bau.at  
www.emco-bau.com



# Sales offices in Europe and around the world

## Great Britain /

### Northern Ireland

emco Bautechnik GmbH  
Breslauer Str. 34 - 38  
49808 Lingen (Ems)  
Tel. (+49) 0591 9140-500  
Fax (+49) 0591 9140-852  
bau@emco.de  
www.emco-bau.com

## Netherlands

emco Benelux B.V.  
Divisie Bouwtechniek  
Postbus 66  
5320 AB Hedel/NL  
Baronieweg 12 B  
5321 JW Hedel/NL  
Tel. (+31) 073 599 8310  
bouwtechniek@benelux.emco.de  
www.emco-bau.com

## Belgium / Luxembourg

emco Benelux B.V.  
Divisie Bouwtechniek  
Veldrijck 2  
8530 Harelbeke/BE  
Tel. (+32) 056 224 978  
bouwtechniek@benelux.emco.de  
www.emco-bau.com

## France

emco France SAS  
8 Rue des Perrières ZI  
39700 Dampierre/FR  
Tel. (+33) 03 84 80 16 20  
Fax (+33) 03 84 80 16 21  
info@emco.fr  
www.emco.fr

## Spain

emco Spain S.L.U.  
Carretera de L'Hospitalet 147-149  
Cityparc Atenas 2ª  
08940 Cornellà de Llobregat  
(Barcelona)/ES  
Tel. (+34) 932 411 425  
(+34) 902 180 024  
Fax (+34) 932 411 426  
info@es.emco.de  
www.emco-bau.com

## Italy

emco Bautechnik GmbH  
Breslauer Str. 34 - 38  
49808 Lingen (Ems)  
Tel. (+49) 0591 9140-500  
Fax (+49) 0591 9140-852  
info@it.emco.de  
www.emco-bau.com

## Poland

emco Polska Sp.z.o.o.  
ul. Gzégzólki 3  
02-804 Warschau/PL  
Tel./Fax (+48) 22 818 82 36  
info@pl.emco.de  
www.emco-bau.com

## Slovenia / Croatia

Slovenia / Croatia  
MEDI-A-NORM D.O.O.  
Cesta v Mestni log 28  
1000 Ljubljana/SVN  
Tel. (+386) 51 435 159  
emco@siol.net  
www.emco-bau.com

## Czech Republic

Novus Česko s.r.o.  
Raspenava 191  
46401 Raspenava/CZ  
Tel. (+420) 482 360 750  
Fax (+420) 482 360 399  
rohozky@cz.emco.de  
www.emco-bau.com

## Slovakia

Tommar Slovakia s.r.o.  
Lamacská Cesta 111  
84103 Bratislava/SK  
Tel. (+421) 2 64 46 16 16  
Fax (+421) 2 64 46 15 15  
tommar@tommar.sk  
www.emco-bau.com

## Sweden

emco Sweden filial  
Kattkällebacken 3  
187 64 Täby/SE  
Tel. (+46) 72 165 76 33  
info@se.emco.de  
www.emco-bau.com

## Denmark

emco Nordic ApS  
Pilestræde 58  
1112 Copenhagen/DK  
Tel. (+45) 51 19 26 29  
info@dk.emco.de  
www.emco-bau.com

## Finland

Suomen Allaslaite Oy  
Alasinkatu 1-3  
40320 Jyväskylä/FI  
Tel. (+358) 20 720 9292  
sal@allaslaite.fi  
www.emco-bau.com

## Middle East

EMCO NOVUS  
Middle East Trading LLC  
PO Box 211008  
Dubai/UAE  
Mobile UAE (+971) 50 3443 579  
Mobile DE (+49) 170 47 20 296  
rami@kaakarli.de  
www.emco-bau.com

## Canada / United States

KBE North America  
1244 Victoria St. N.  
Kitchener, Ontario/CA  
N2B 3C9  
Tel. (+1) 519 572 1562  
info@kbenorthamerica.com  
www.emco-bau.com

## Central / South America

EuroMats México  
Pedro Rivera  
Raudales No. 26  
Lomas de Cocoyoc, Morelos  
C.P. 62738 Mexico/MX  
Tel./Fax (+52) 73 53 56 39 18  
Mobile (+52) 55 51 07 95 24  
info@euromatsmexico.com  
www.emco-bau.com

## Taiwan

Rainier Collections Inc.  
No.172-1, Sec.5, Roosevelt Road  
Taipei 11681, TW/R.O.C.  
Tel. (+886) 02 8978 1968  
Fax (+886) 02 2935 7691  
rci.rainier@msa.hinet.net  
www.emco-bau.com

## Japan

Bevel Corporation  
S-Court 101, 3-1 Shinanomachi  
Shinjuku-ku  
Tokyo 160-0016/JP  
Tel. (+81) 3 53 41 42 43  
Fax (+81) 3 53 41 42 44  
emco@bevel.co.jp  
www.emco-bau.com

## Hong Kong

emco Novus International Ltd.  
Unit no. 1108, Level 11, Tower 1  
Grand Central Plaza  
138 Shatin Rural Committee Road  
Shatin, New Territories/HK  
Tel. (+852) 215 318 15  
Fax (+852) 215 318 16  
Mobile HK (+852) 53 187 187  
Mobil eCN (+86) 152 179 43319  
pyau@hk.emco.de

## China

emco Building Technology  
(Chuzhou) Ltd.  
No. 203 East Jiujiang Road  
Chuzhou City  
239000 Anhui/CN  
Tel. (+865) 503 567 500  
Fax (+865) 503 567 577  
info@china-emco.com  
www.china-emco.com



emco Bautechnik  
Postfach 1860  
D-49803 Lingen (Ems)  
Germany  
Tel. +49 (0) 591 9140-0  
Fax +49 (0) 591 9140-852  
bau@emco.de

[www.emco-bau.com](http://www.emco-bau.com)

UK-855-440006-2307  
Subject to technical modifications.

A member of the 